

Lecture 1: Computer Organization

Outline

- Overview of parallel computing
- Overview of computer organization
 - Intel 8086 architecture
- Implicit parallelism
- von Neumann bottleneck
- Cache memory
 - Writing cache-friendly code

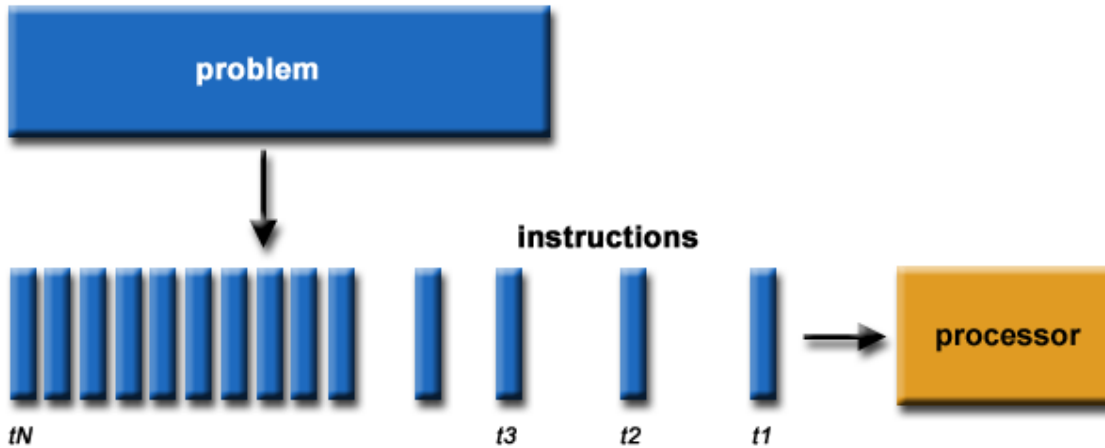
Why parallel computing

- Solving an $n \times n$ linear system $Ax=b$ by using Gaussian elimination takes $\approx \frac{1}{3}n^3$ flops.
- On **Core i7 975 @ 4.0 GHz**, which is capable of about 60-70 Gigaflops

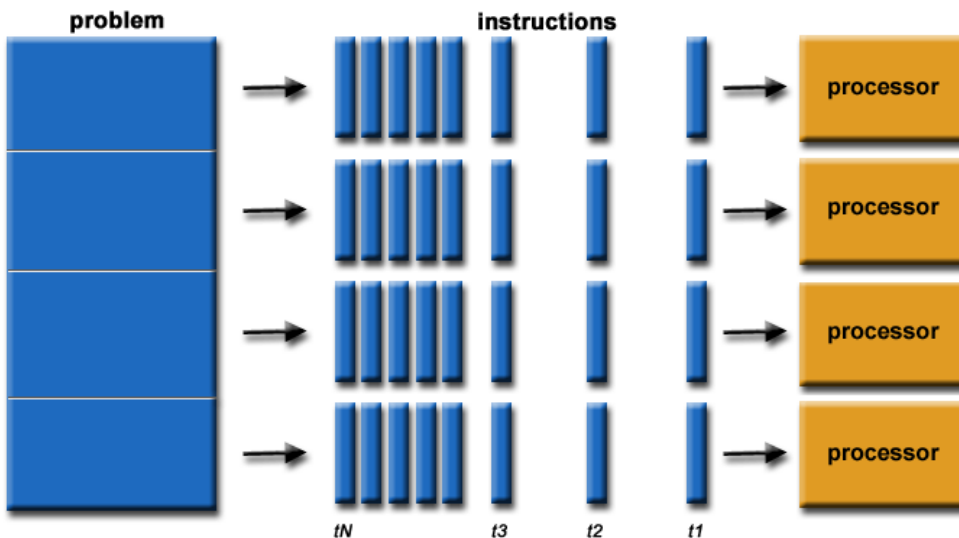
n	flops	time
1000	3.3×10^8	0.006 seconds
1000000	3.3×10^{17}	57.9 days

What is parallel computing?

- Serial computing



- Parallel computing



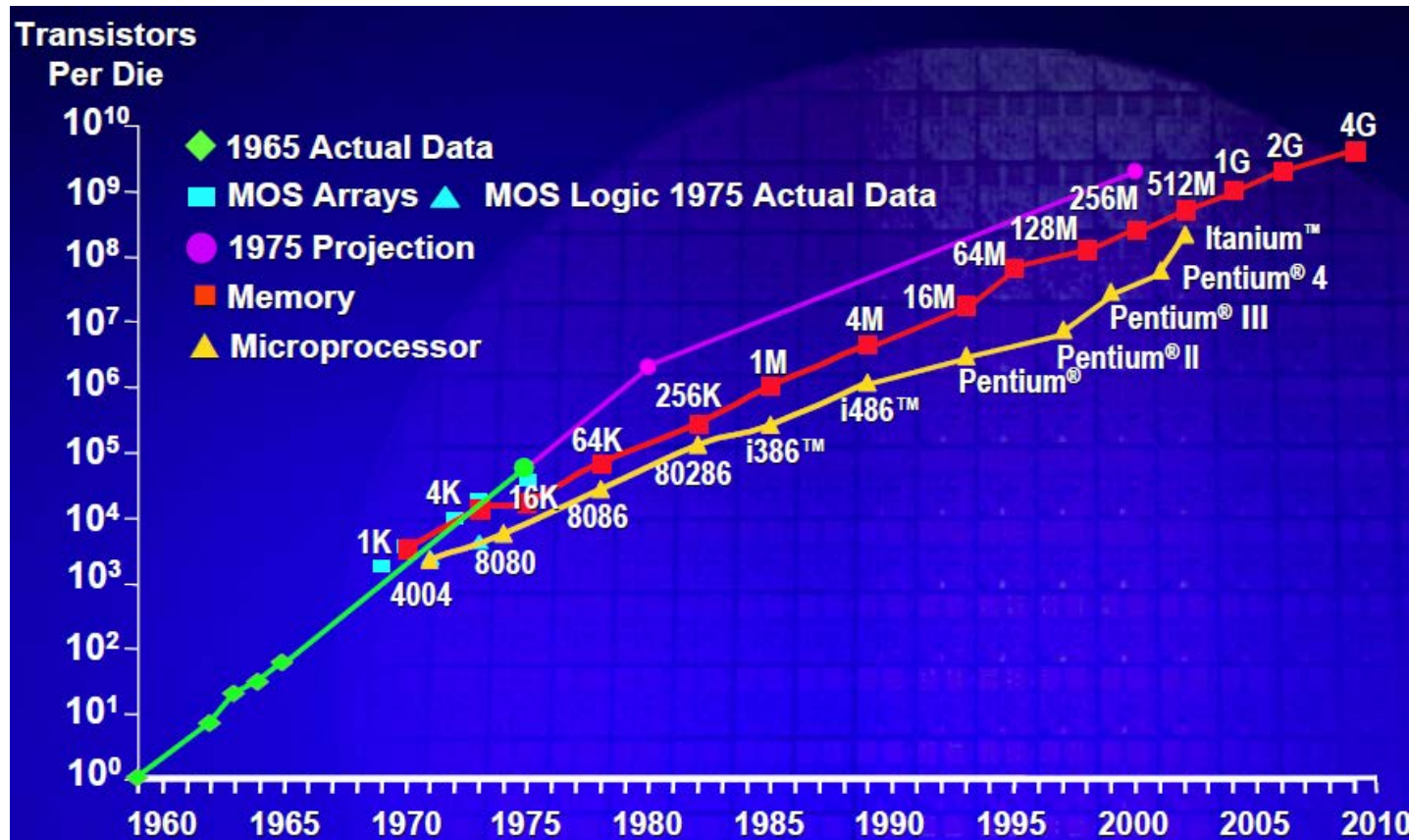
Milestones in Computer Architecture

- Analytic engine (mechanical device), 1833
 - Forerunner of modern digital computer, Charles Babbage (1792-1871) at University of Cambridge
- Electronic Numerical Integrator and Computer (ENIAC), 1946
 - Presper Eckert and John Mauchly at the University of Pennsylvania
 - The first, completely electronic, operational, general-purpose analytical calculator. 30 tons, 72 square meters, 200KW.
 - Read in 120 cards per minute, Addition took 200 μ s, Division took 6 ms.
- IAS machine, 1952
 - John von Neumann at Princeton's Institute of Advanced Studies (IAS)
 - Program could be represented in digit form in the computer memory, along with data. Arithmetic could be implemented using binary numbers
 - Most current machines use this design
- Transistors was invented at Bell Labs in 1948 by J. Bardeen, W. Brattain and W. Shockley.
- PDP-1, 1960, DEC
 - First minicomputer (transistorized computer)
- PDP-8, 1965, DEC
 - A single bus (omnibus) connecting CPU, Memory, Terminal, Paper tape I/O and Other I/O.
- 7094, 1962, IBM
 - Scientific computing machine in early 1960s.
- 8080, 1974, Intel
 - First general-purpose 8-bit computer on a chip
- IBM PC, 1981
 - Started modern personal computer era

Remark: see also <http://www.computerhistory.org/timeline/?year=1946>

Moore's law

- Gordon Moore's observation in 1965: the number of transistors per square inch on integrated circuits had doubled every year since the integrated circuit was invented (often interpreted as **Computer performance doubles every two years (same cost)**)



(Gordon_Moore_ISSCC_021003.pdf)

Moore's law

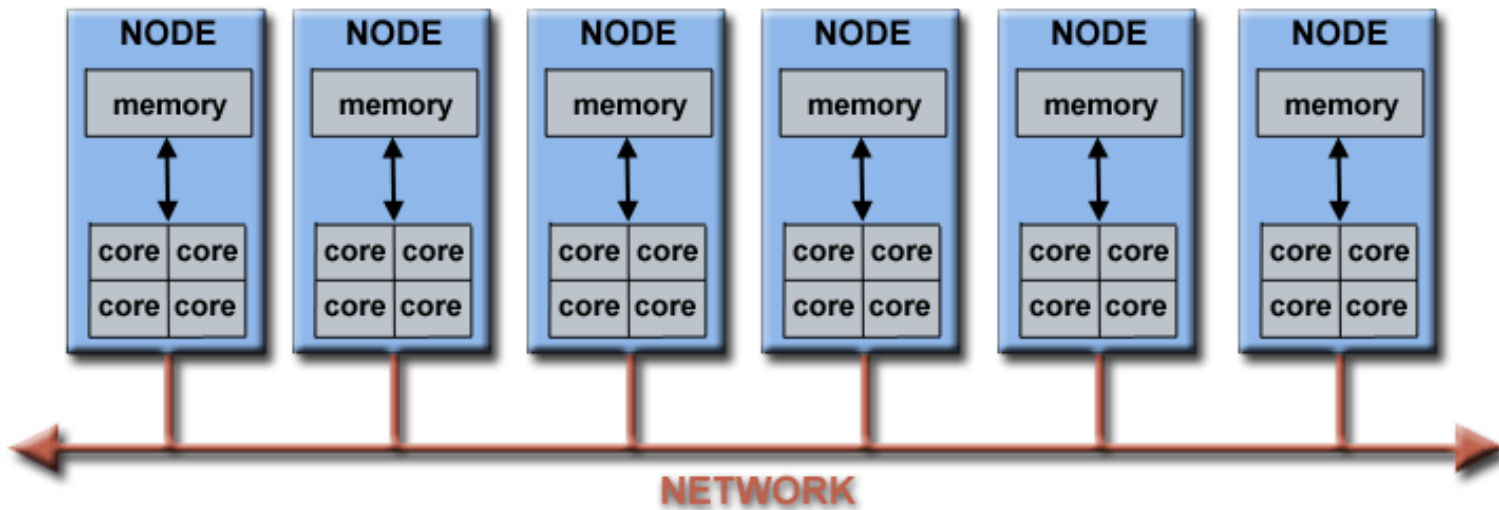
- Moore's revised observation in 1975: the pace slowed down a bit, but data density had doubled approximately every 18 months
- **Moore's law is dead**

Gordon Moore quote from 2005: "in terms of size [of transistor] ..we're approaching the size of atoms which is a fundamental barrier..."

Date	Intel Transistors CPU	(x1000)	Technology
1971	4004	2.3	
1978	8086	31	2.0 micron
1982	80286	110	HMOS
1985	80386	280	0.8 micron CMOS
1989	80486	1200	
1993	Pentium	3100	0.8 micron biCMOS
1995	Pentium Pro	5500	0.6 micron – 0.25

Parallel Computers

- Multiple stand-alone nodes (processing units) are connected by networks to form a parallel computer (cluster).



TIANHE-2

Site:	National Super Computer Center in Guangzhou
Manufacturer:	NUDT
Cores:	3,120,000
Linpack Performance (Rmax)	33,862.7 TFlop/s
Theoretical Peak (Rpeak)	54,902.4 TFlop/s
Nmax	9,960,000
Power:	17,808.00 kW
Memory:	1,024,000 GB
Processor:	Intel Xeon E5-2692v2 12C 2.2GHz
Interconnect:	TH Express-2
Operating System:	Kylin Linux
Compiler:	icc
Math Library:	Intel MKL-11.0.0
MPI:	MPICH2 with a customized GLEX channel

TITAN - CRAY XK7

Site:	DOE/SC/Oak Ridge National Laboratory
System URL:	http://www.olcf.ornl.gov/titan/
Manufacturer:	Cray Inc.
Cores:	560,640
Linpack Performance (Rmax)	17,590 TFlop/s
Theoretical Peak (Rpeak)	27,112.5 TFlop/s
Power:	8,209.00 kW
Memory:	710,144 GB
Processor:	Opteron 6274 16C 2.2GHz, NVIDIA TESLA K20 GPU ACCELERATORS
Interconnect:	Cray Gemini interconnect
Operating System:	Cray Linux Environment

SEQUOIA - BLUEGENE/Q,

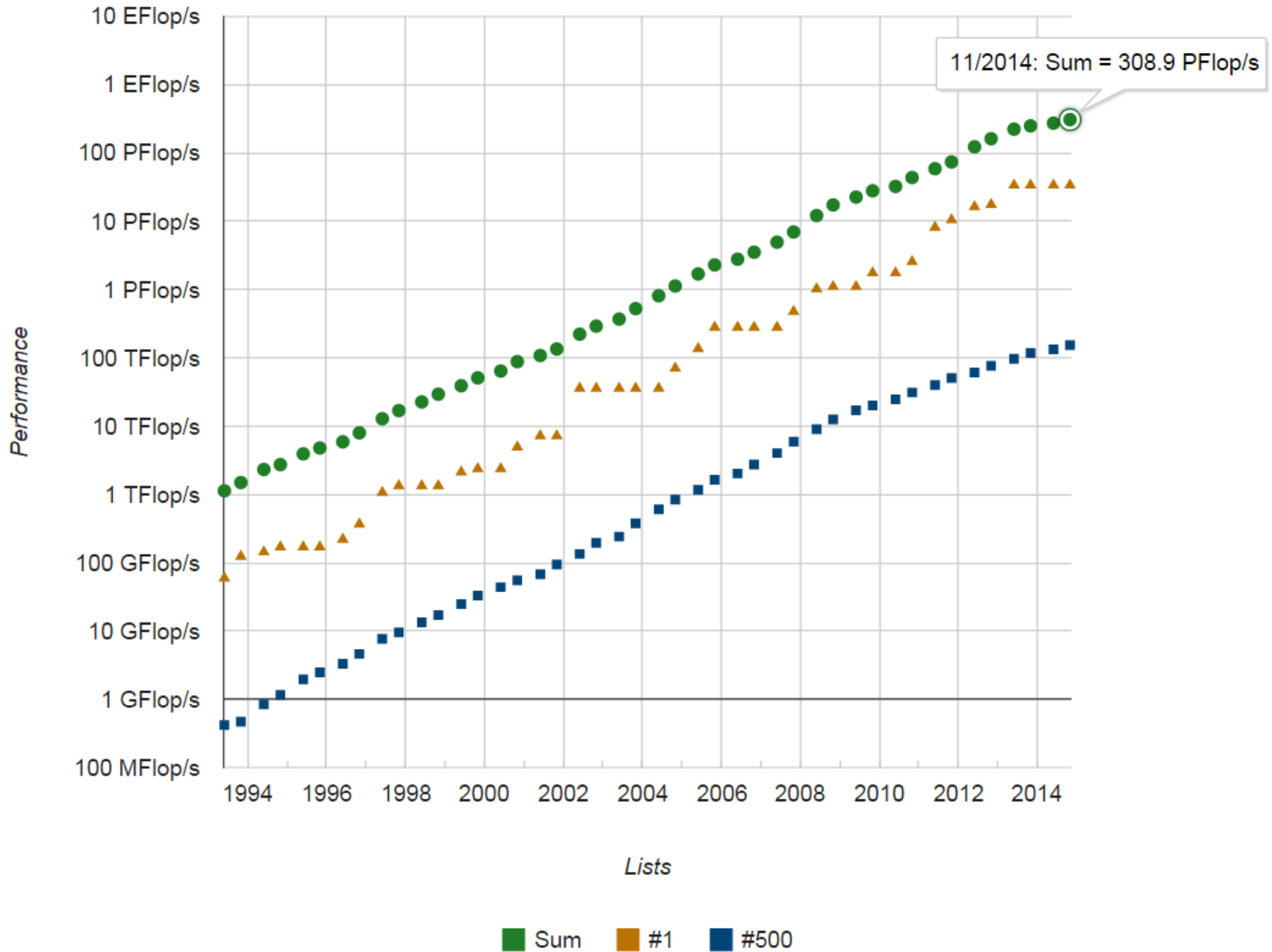
Site:	DOE/NNSA/LLNL
Manufacturer:	IBM
Cores:	1,572,864
Linpack Performance (Rmax)	17,173.2 TFlop/s
Theoretical Peak (Rpeak)	20,132.7 TFlop/s
Power:	7,890.00 kW
Memory:	1,572,864 GB
Processor:	Power BQC 16C 1.6GHz
Interconnect:	Custom Interconnect
Operating System:	Linux



CODE	SCIENTIFIC DISCIPLINE	CODE DESCRIPTION	EXAMPLE SCIENCE PROBLEM	PROGRAMMING MODEL FOR ACCELERATION	PERFORMANCE INFORMATION	POINT OF CONTACT
LAMMPS	Molecular Science	LAMMPS is a molecular dynamics general statistical mechanics based code applicable to bioenergy problems . http://lammps.sandia.gov/	Course-grained molecular dynamics simulation of bulk heterojunction polymer blend films used, e.g., within organic photovoltaic devices.	OpenCL or CUDA	Speedup is 1X to 7.4X on 900 nodes, comparing XK7 to XE6. The performance variation is strongly dependent upon the number of atoms per node. This algorithm is mixed precision on GPU, double precision on CPU.	Mike Brown, ORNL
CAM-SE	Climate change science	CAM-SE. Community Atmosphere Model – Spectral Elements. http://earthsystemcog.org/projects/dcmip-2012/cam-se	High-resolution atmospheric climate simulation using CAM5 physics and the MOZART chemistry package.	CUDA Fortran		Matt Norman, ORNL

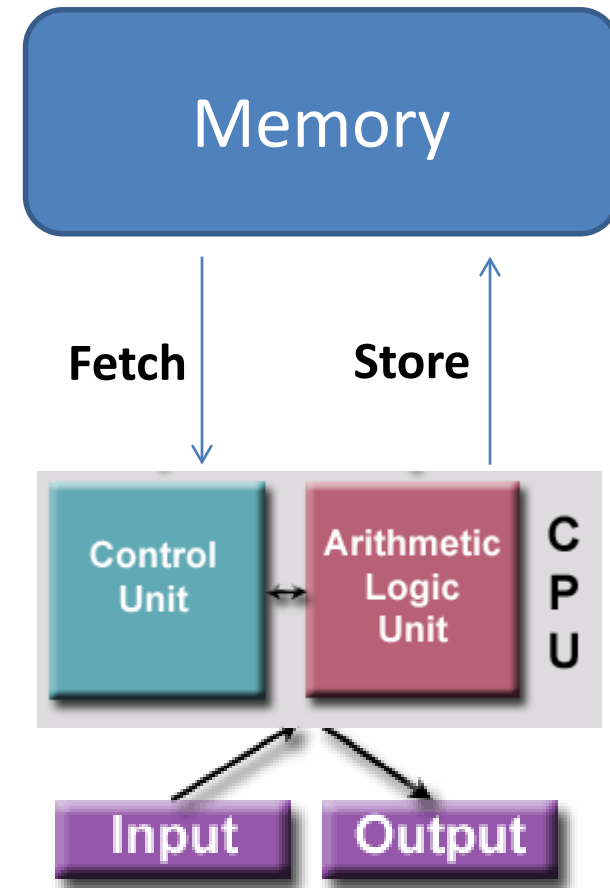
<https://www.olcf.ornl.gov/computing-resources/titan-cray-xk7/>

Performance Development

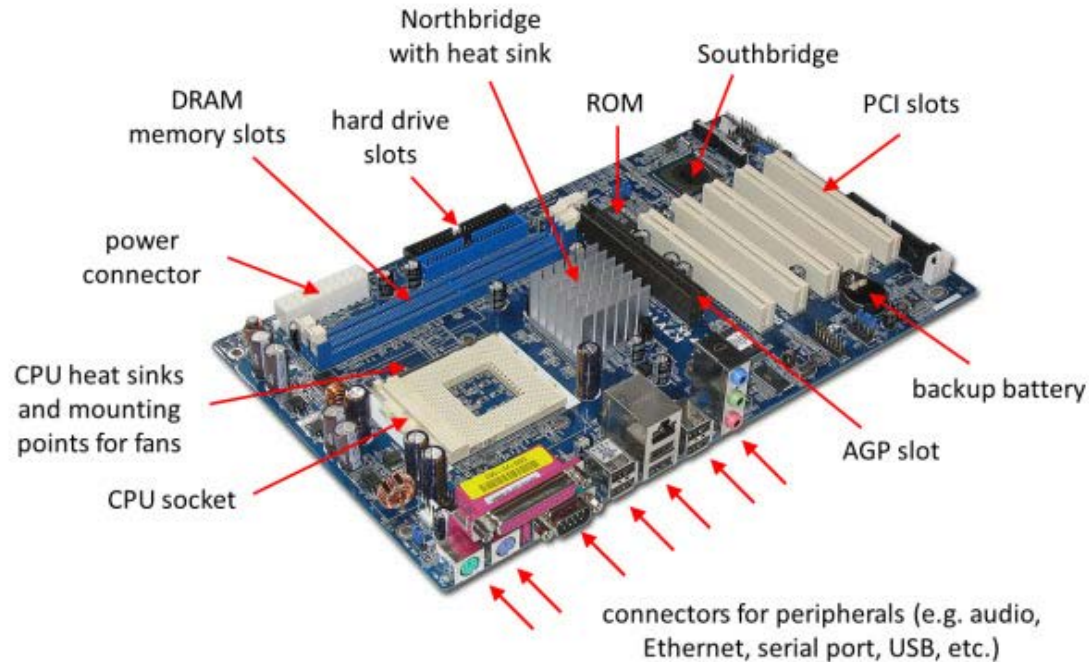


von Neumann machine

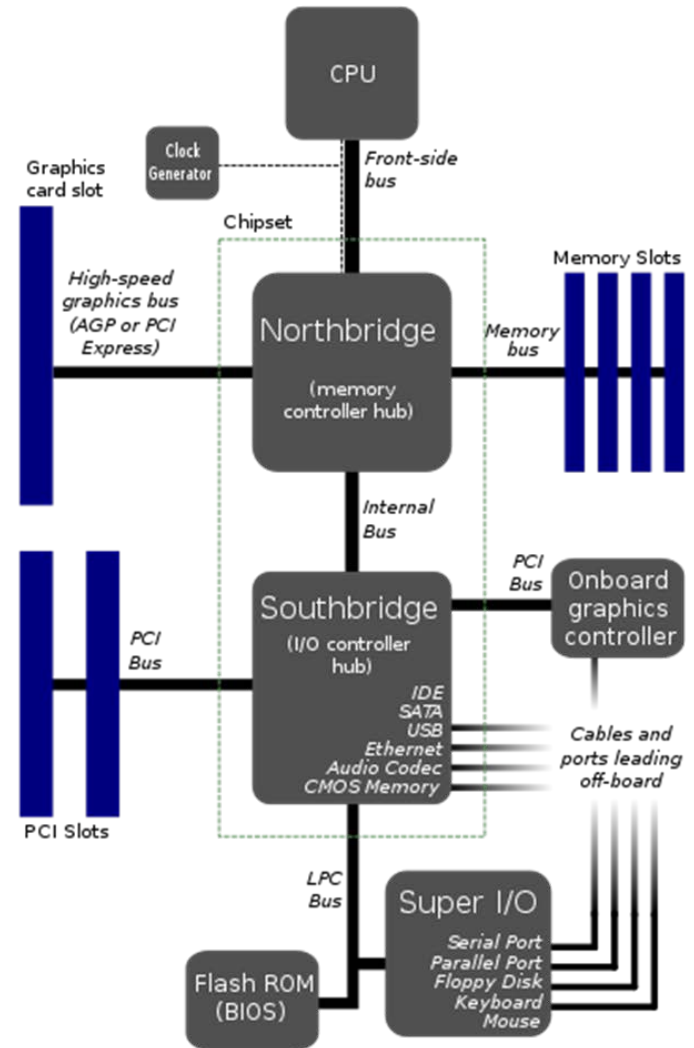
1. Established in John von Neumann's 1945 paper, and is common machine model for many years.
2. Stored-program concept: both program instructions and data are stored in memory.
3. Machine is divided into a CPU (control unit and arithmetic logic unit), main memory and input/output.
4. Read/write, random access memory is used to store both program instructions and data. Control unit fetches instructions/data from memory, decodes the instructions and then sequentially coordinates operations to accomplish the programmed task. Arithmetic Unit performs basic arithmetic operations.



Motherboard diagram of PC

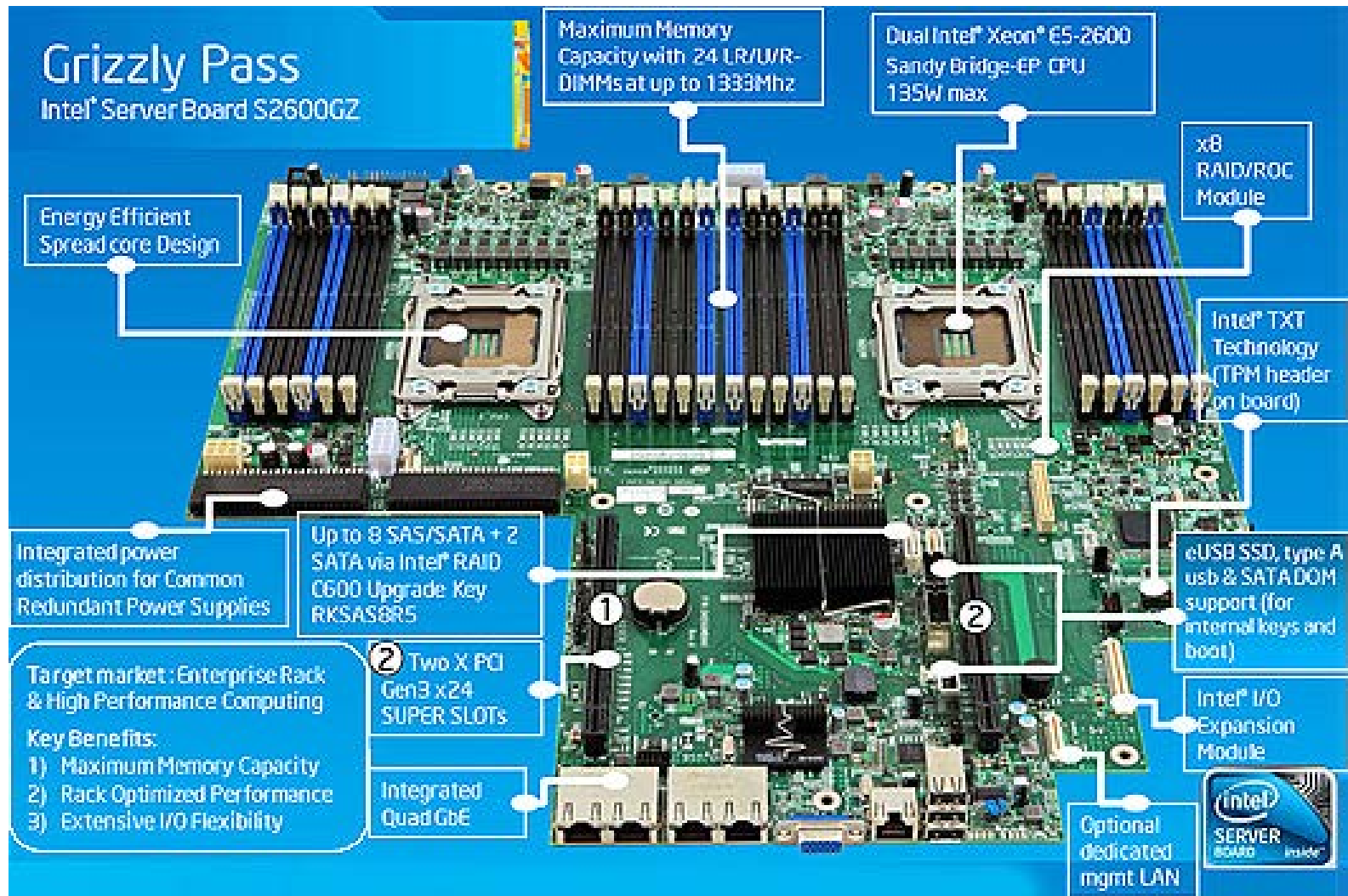


<http://education-portal.com/academy/lesson/what-is-a-motherboard-definition-function-diagram.html#lesson>



http://en.wikipedia.org/wiki/Front-side_bus

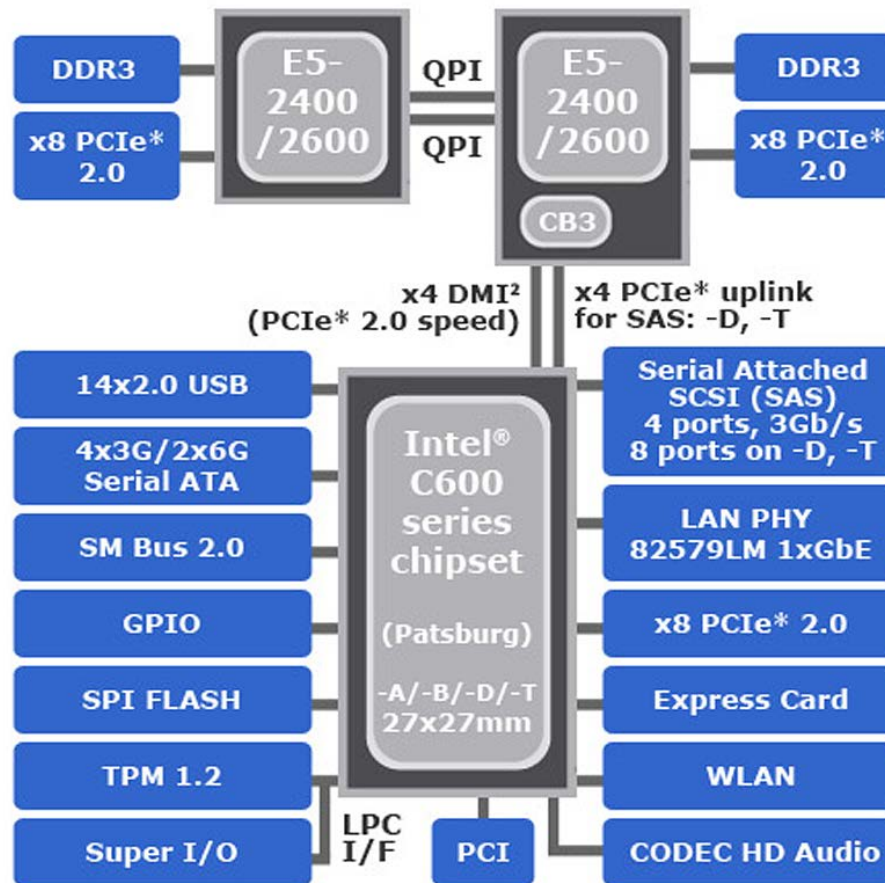
Intel S2600GZ4 Server Motherboard



- CPU Type: Dual Intel Xeon E5-2600 Series
- Maximum Memory Supported: 768GB
- Intel® C600 Chipset

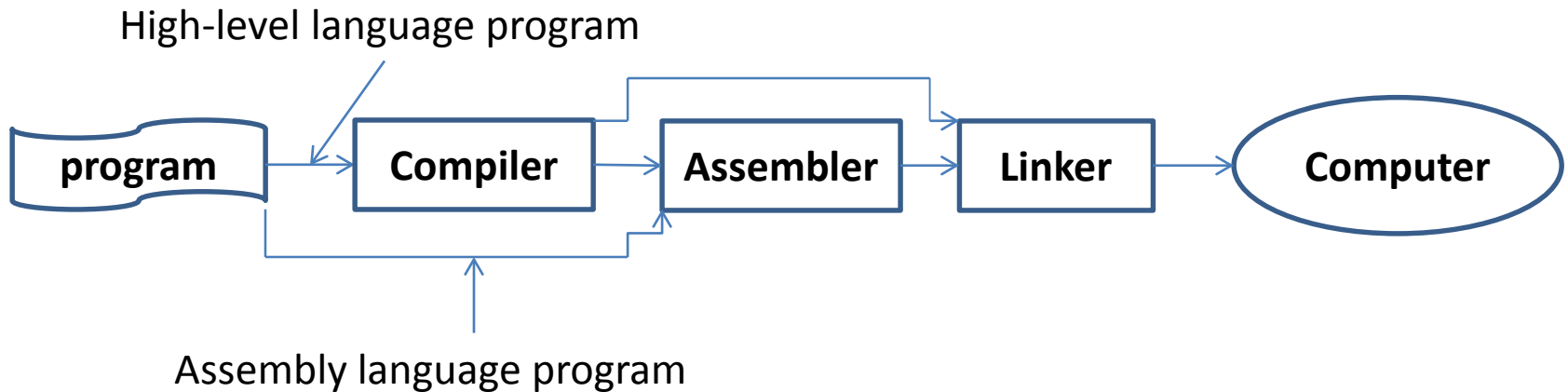
<http://www.memoryexpress.com/>

Motherboard diagram of S2600GZ4



<http://www.intel.com/content/www/us/en/chipsets/server-chipsets/server-chipset-c600.html>

Machine Language, Assembly and C



- CPU understands machine language only
- Assembly language is easier to understand:
 - Abstraction
 - A unique translation (every CPU has a different set of assembly instructions)

Remark: Nowadays we use Assembly only when:

1. Processing time is critical and we need optimize the execution
 2. Low level operations, such as operating on registers etc. are needed, but not supported by the high level language.
 3. Memory is critical, and optimizing its management is required.
- C language:
 - The translation is not unique. It depends on Compiler and optimization.
 - It is portable.

High-level language
program (in C)

```
Swap (int v[], int k)
{
    int temp;
    temp = v[k];
    v[k] = v[k+1];
    v[k+1] = temp;
}
```

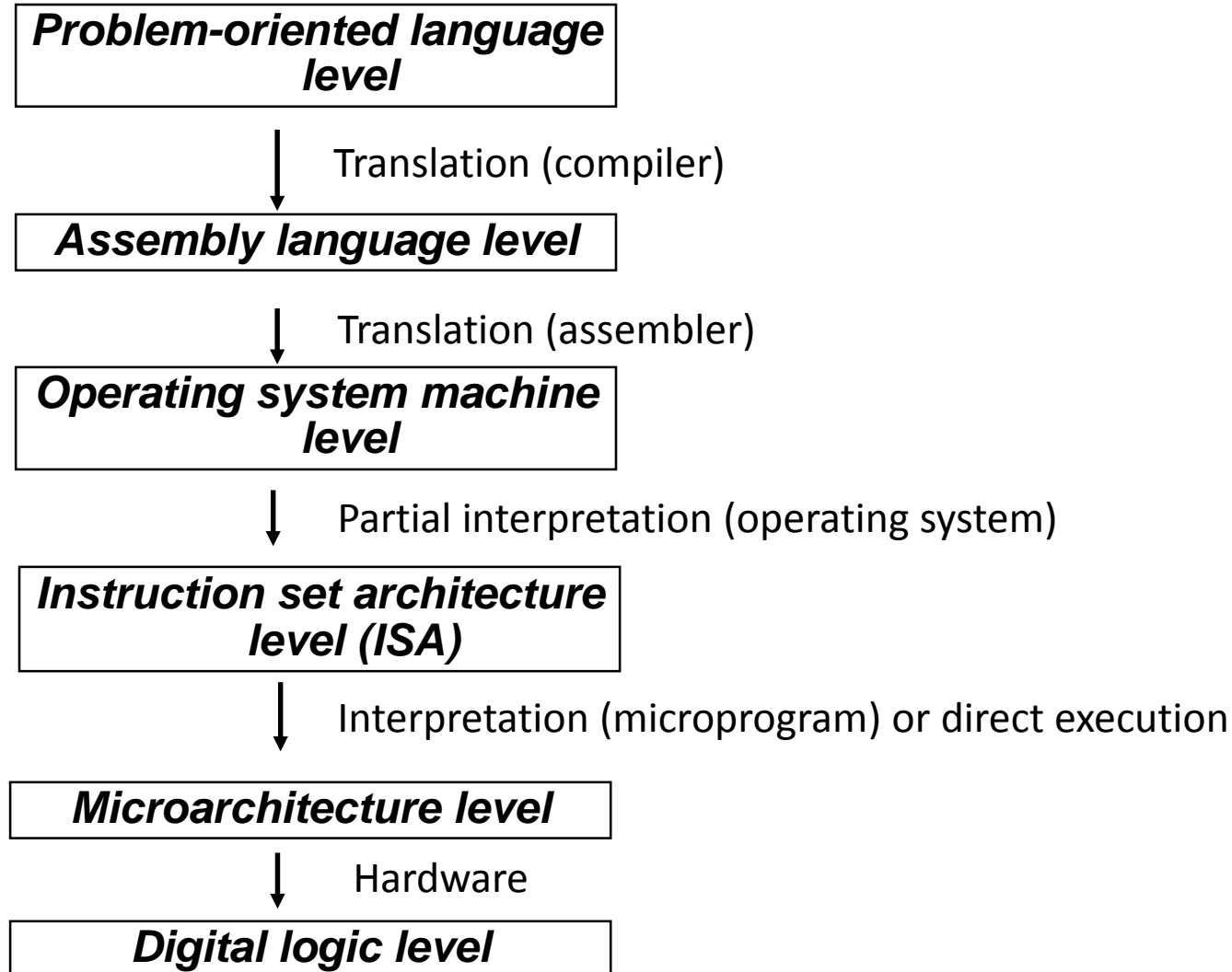
Assembly language
program (for
microprocessor without
interlocked pipeline
stages (MIPS), which is an
instruction set
architecture (ISA))

```
lw    $15,    0($2) //load word at RAM address ($2+0) into register $15
lw    $16,    4($2)
sw    $16,    0($2) // store word in register $16 into RAM at address ($2+0)
sw    $15,    4($2)
```

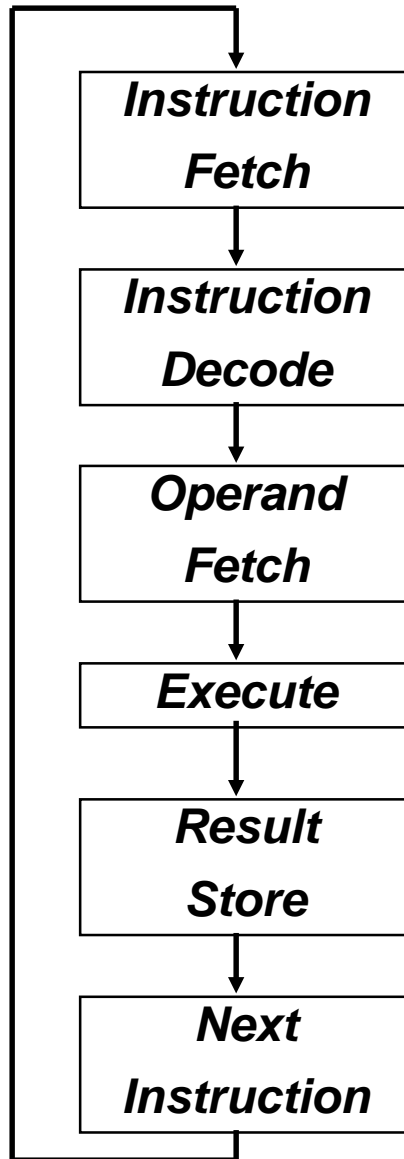
Binary machine language
program (for MIPS)

```
0000 1001 1100 0110 1010 1111 0101 1000
1010 1111 0101 1000 0000 1001 1100 0110
1100 0110 1010 1111 0101 1000 0000 1001
0101 1000 0000 1001 1100 0110 1010 1111
```

Structured Machines



Execution Cycle



Obtain instruction from program storage

Determine required actions and instruction size

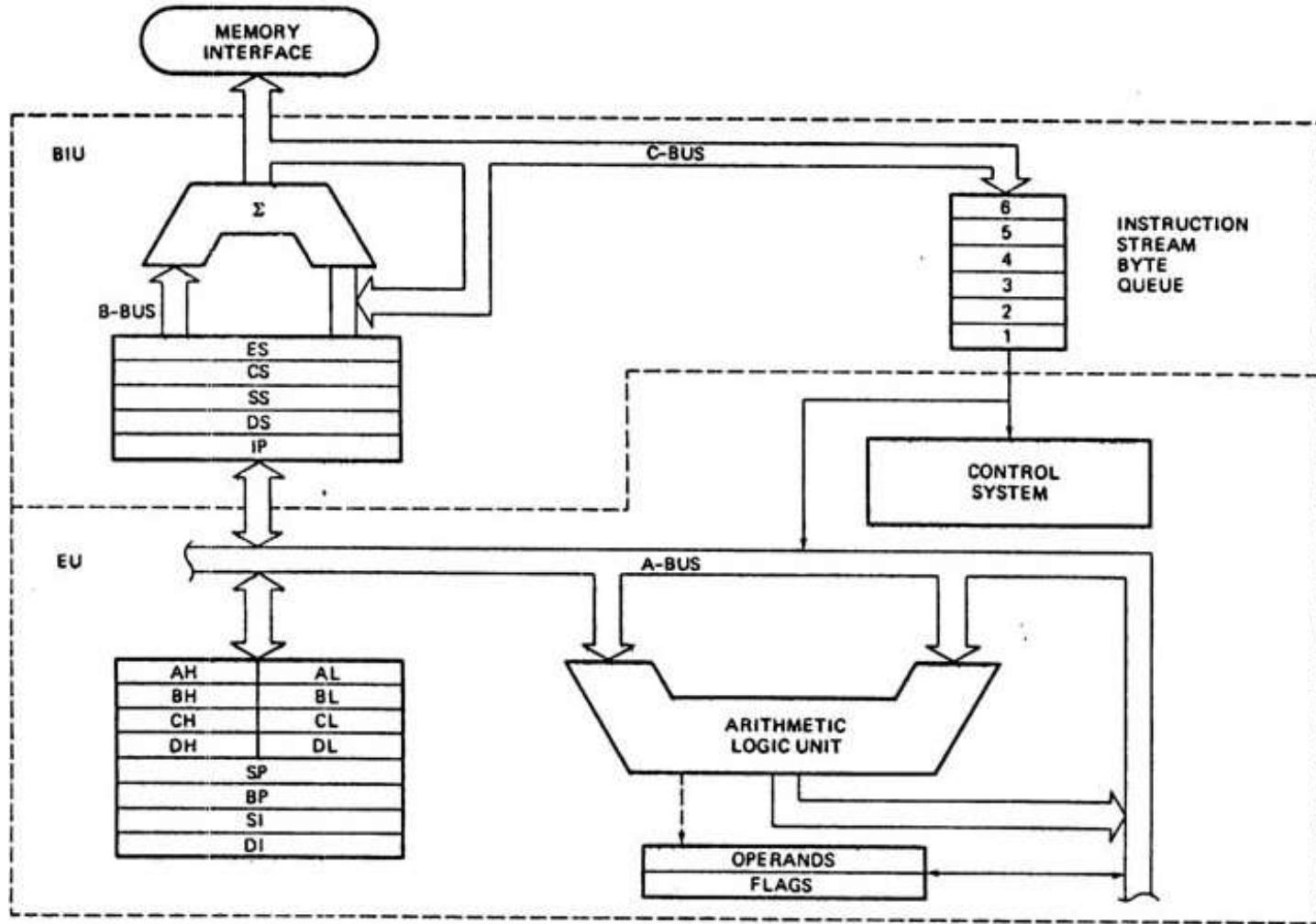
Locate and obtain operand data

Compute result value or status

Deposit results in storage for later use

Determine successor instruction

16-bit Intel 8086 processor



First available in 1978, total three versions:
8086 (5 MHz), 8086-2 (8 MHz) and 8086-1 (10 MHz).
It consists of 29,000 transistors.

- 8086 CPU is divided into two independent functional units:
 1. Bus Interface Unit (BIU)
 - Fetch the instruction or data from memory.
 - Write the data to memory.
 - Read/write the data to the port.
 2. Execution Unit (EU)
 - The functions of execution unit are:
 - To tell BIU where to fetch the instructions or data from.
 - To decode the instructions.
 - To execute the instructions.
- The 8086 is internally a 16-bit CPU and externally it has a 16-bit data bus. It has the ability to address up to 1 Mbyte of memory via its 20-bit address bus.
 - An **address bus** is a computer bus (a series of lines connecting two or more devices) that is used to specify a physical address of computer memory.

Control Unit:

- Generate control/timing signals
- Controls decoding/execution of instructions

Registers (very fast memories):

1. *General-Purpose Registers (AX, BX, CX, DX)*: holds temporary results or addresses during execution of instructions. results of ALU operations. Write results to memory
2. *Instruction Pointer Counter(ip)*: Holds address of instruction being executed
3. *Segment registers (CS, DS, SS, ES)*: combine with others to generate memory address to reference 1Mb memory
4. *Instruction register(IR)*: holds instruction while it's decoded/executed

Arithmetic Logic Unit (ALU):

ALU takes one or two operands A,B

Operation:

1. Addition, Subtraction (integer)
2. Multiplication, Division (integer)
3. And, Or, Not (logical operation)
4. Bitwise operation (shifts, equivalent to multiplication by power of 2)

Specialized ALUs:

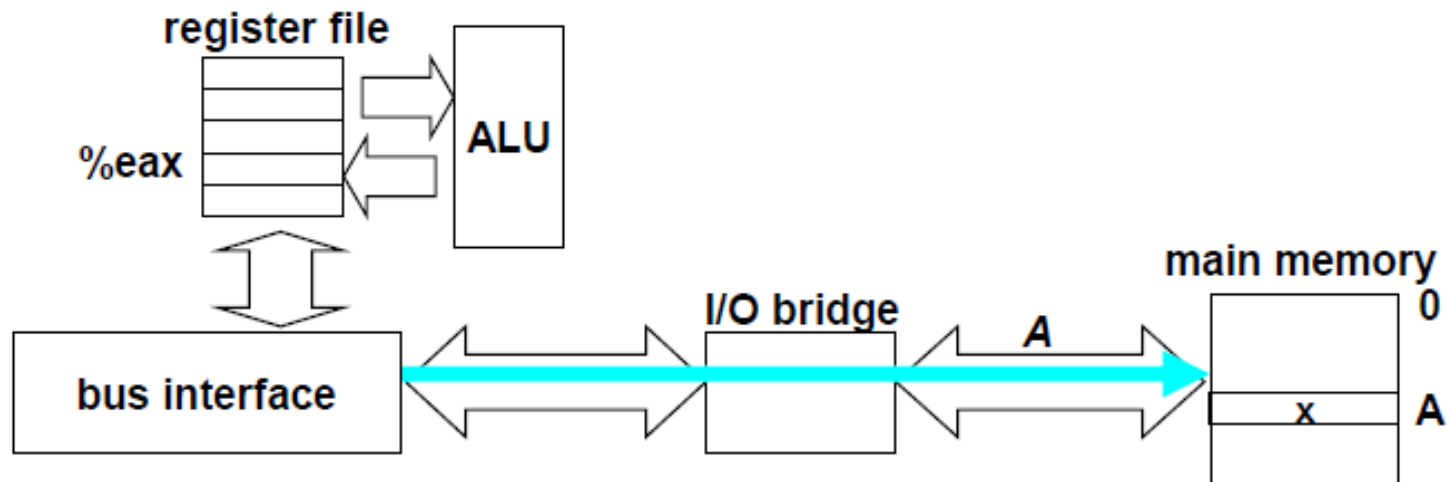
- Floating Point Unit (FPU)
- Address ALU

Memory read transaction (1)

Load operation: `movl A, %eax`

Remark: here we use GNU Assembly language

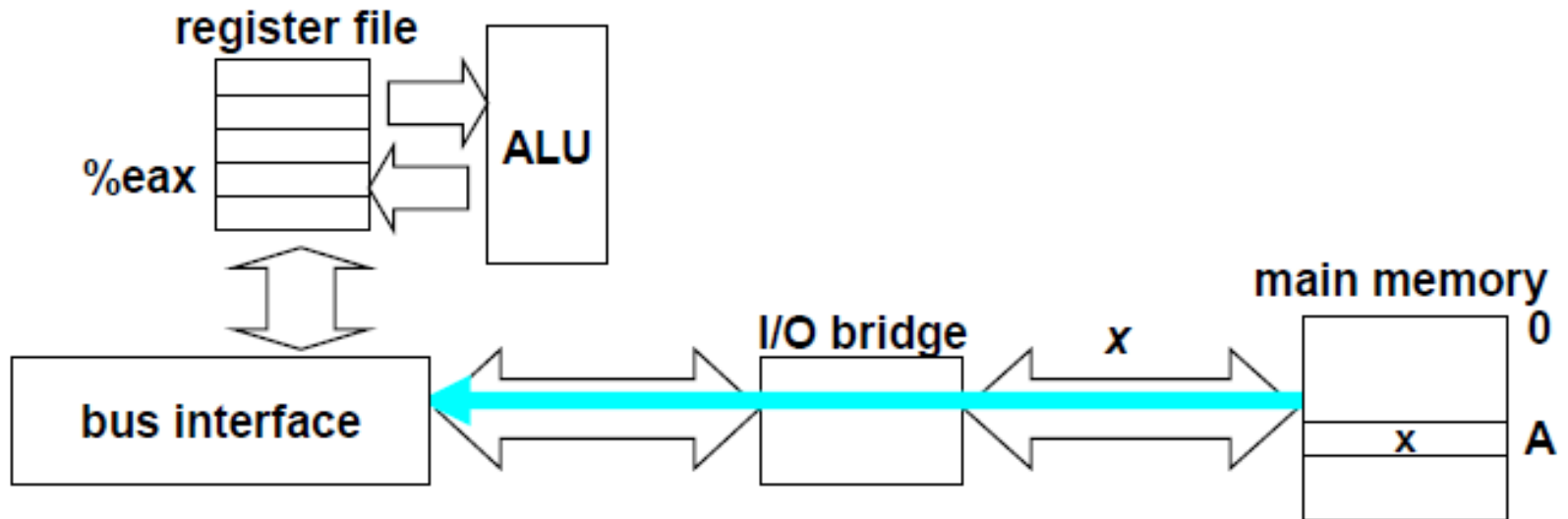
- Load content of address **A** into register **eax**
- CPU places address **A** on the system bus, I/O bridge passes it onto the memory bus



Memory read transaction (2)

Load operation: `movl A, %eax`

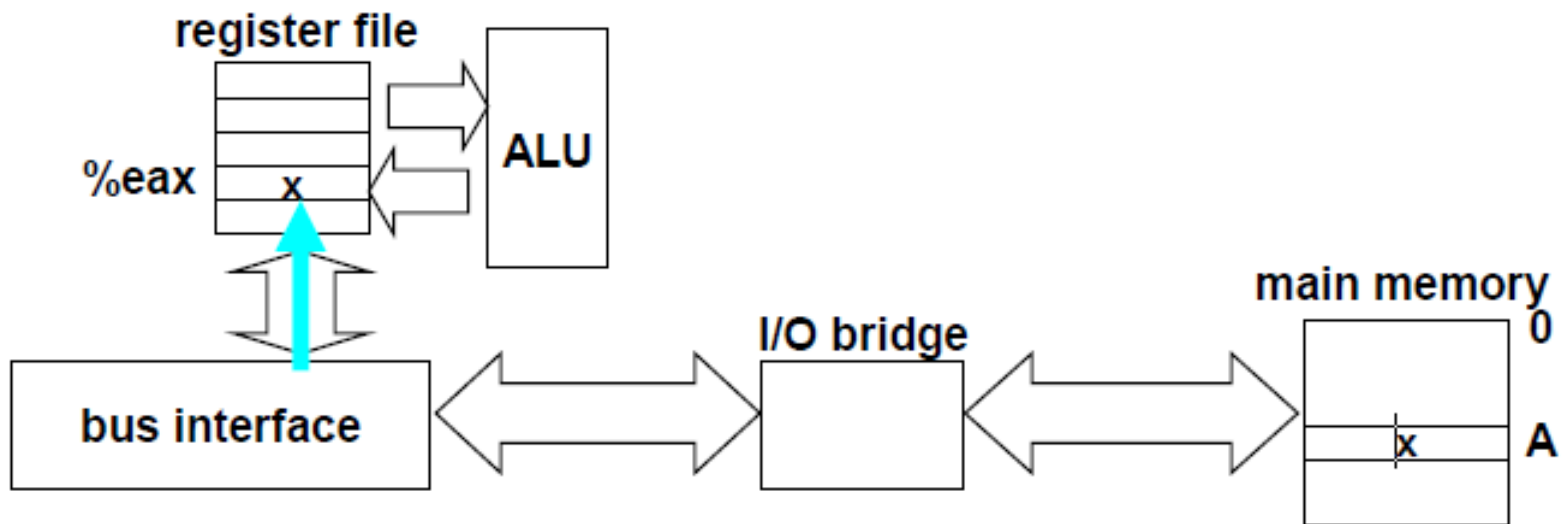
- Main memory reads A from memory bus, retrieve word x, and places x on the bus; I/O bridge passes it along to the system bus



Memory read transaction (3)

Load operation: `movl A, %eax`

- CPU read word `x` from the bus and copies it into register **`eax`**



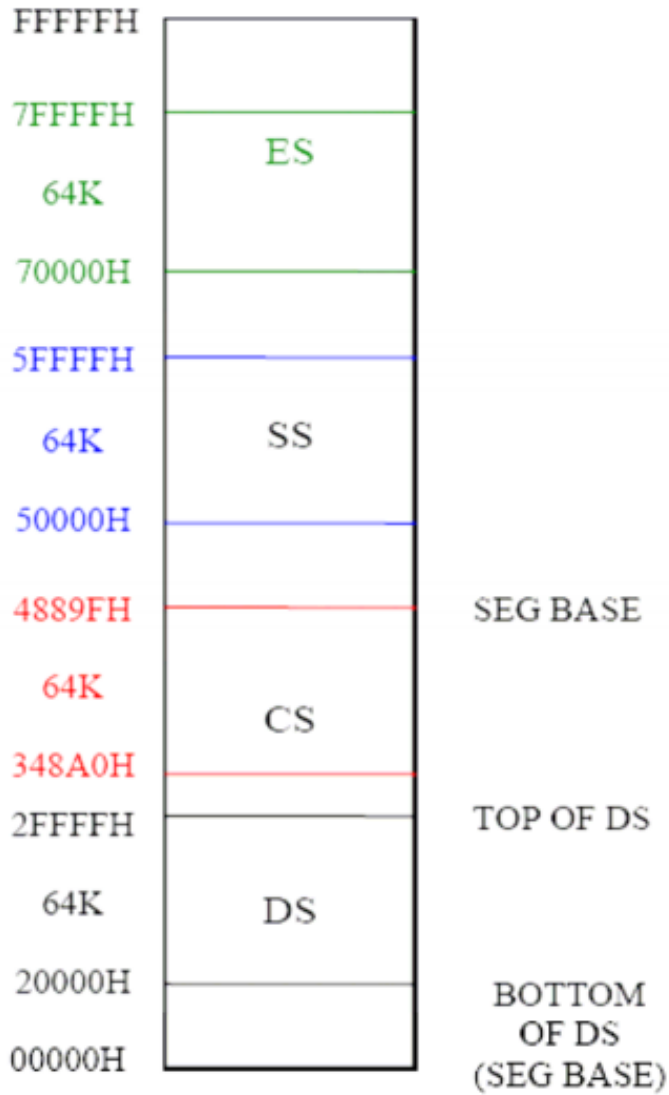
x86 Processor Model

- The **BIU** provides hardware functions. Including generation of the memory and I/O addresses for the transfer of data between itself and the outside world.
- The **EU** receives program instruction codes and data from the **BIU**, executes these instructions, and stores the results in the general registers. By passing the data back to the **BIU**, data can also be stored in a memory location or written to an output device.
 - The main linkage between the two functional blocks is the instruction queue, with the BIU looking ahead of the current instruction being executed in order to keep the queue filled with instructions for the EU to decode and operate on.
- The *Fetch and Execute Cycle*
 1. The **BIU** outputs the contents of the instruction pointer register (IP) onto the address bus, causing the selected byte or word in memory to be read into the BIU.
 2. Register IP is incremented by one to prepare for the next instruction fetch.
 3. Once inside the **BIU**, the instruction is passed to the **queue**: a first-in/first-out storage register sometimes likened to a **pipeline**.
 4. Assuming that the queue is initially empty, the EU immediately draws this instruction from the queue and begins execution.
 5. While the **EU** is executing this instruction, the BIU proceeds to fetch a new instruction. Depending on the execution time of the first instruction, the BIU may fill the queue with several new instructions before the EU is ready to draw its next instruction.
 6. The cycle continues, with the **BIU** filling the queue with instructions and the EU fetching and executing these instructions.

Computer Memory

- Memory is organized in a manner similar to a one-dimensional array:
 - Memory is a sequence of bytes ((a byte has 8 bits)).
 - Each byte is assigned a numerical address, similar to array indexing.
 - Addresses are nonnegative integers; valid range is determined by physical system and memory management scheme of the operating system. Addresses are usually expressed in hexadecimal. For example, 0xA1250.
 - Operating system keeps track of which addresses each process (executing program) is allowed to access, and attempts to access addresses that are not allocated to a process should result in intervention by the operating system
 - Operating system usually reserves a block of memory starting at address 0 for its own use.

Memory Segmentation of 8086



Advantages of memory segmentation

- Allow the memory capacity to be 1Mb even though the addresses associated with the individual instructions are only 16 bits wide.
- Facilitate the use of separate memory areas for the program, its data and the stack.
- Permit a program and/or its data to be put into different areas of memory each time the program is executed.
- Multitasking becomes easy.

Generation of 20 bit physical address

20-bit physical address is often represented as Segment Base : Offset

For example, CS: IP

CS 3 4 8 0
+IP 1 2 30 4

3 5 A 3 4 (H)

"640K ought to be enough for anybody."
--- (Bill Gates, 1981)

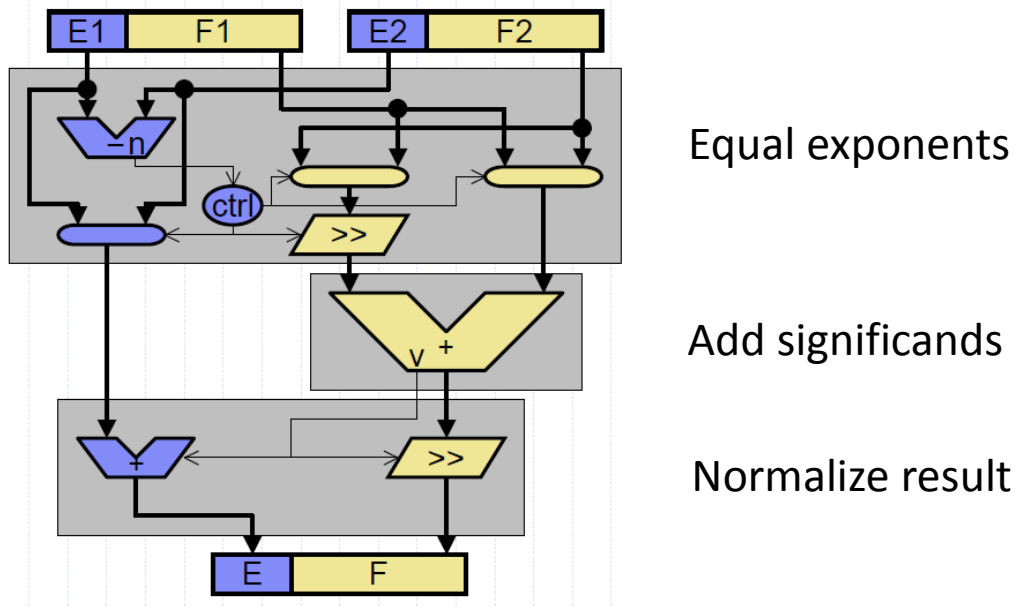
Implicit Parallelism - Pipelining

- **Parallelism can be introduced at various levels.**
- Instruction pipeline
 - The basic instruction cycle is broken up into a series called a pipeline.
 - 20 stage pipeline in Pentium 4
- Example: $S1 = S2 + S3$;
 - Stages gone through: 1. Unpack operands; 2. Compare exponents; 3. Align significant digits; 4. Add fractions; 5. Normalize fraction; 6. Pack operands.
 - Assembly instructions

```
load R1, @S2
load R2, @S3
add  R1, R2    // (6 stages)
store R1, @S1
```
 - 9 clock cycles to complete one operation

- Register numbers begin with the letter *r*, like *r0*, *r1*, *r2*.
- Immediate (scalar) values begin with the hash mark #, like #100, #200.
- Memory addresses begin with the at sign @, like @1000, @1004.

FP addition hardware



- Assume that each stage takes one clock cycles. After s cycles, the pipe is filled, i.e., all stages are active. Then an operation is produced at each clock cycle.
 - If each stage takes time t , then, operation with n numbers will take $st+(n-1)t$ sec.
 - Instead of nst sec.
 - Improving by $(ns)/(n+s-1)$
- Dynamic pipeline scheduling
 - Deal with branch instruction, and change the order of executing instructions to fill gaps if possible

Implicit Parallelism - Superscalar execution

- Superscalar – performing instructions in parallel
 - Performing two instructions simultaneously, which means to fetch two instructions together, decode them at the same time, execute, i.e..

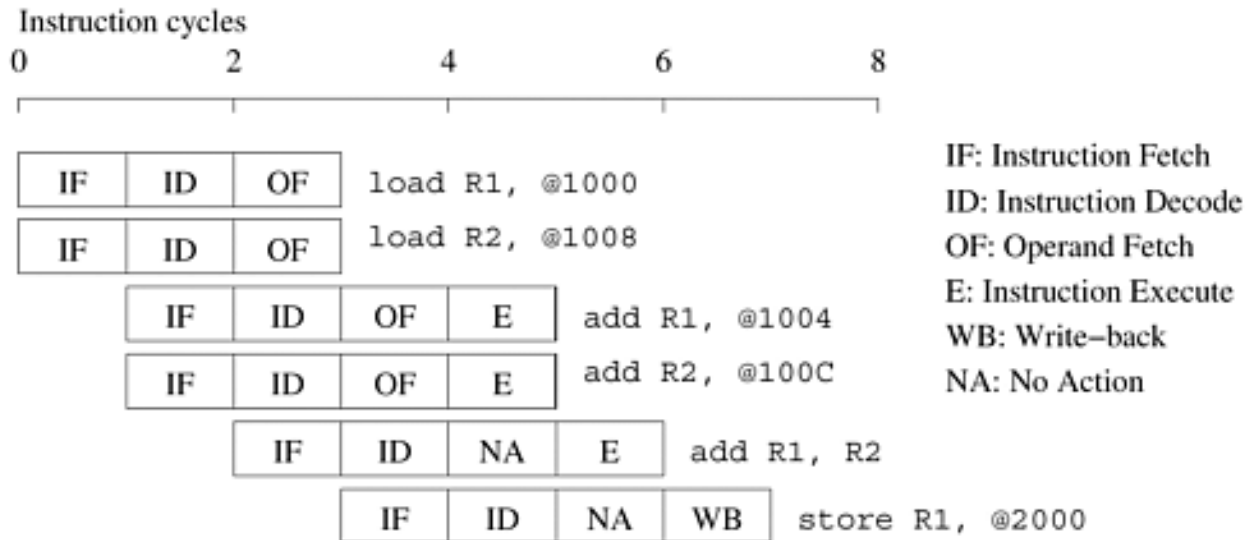
• Example Superscalar execution

Consider a processor (or a virtual machine) with two pipelines and the ability to simultaneously issue two instructions. These processors are sometimes also referred to as super-pipelined processors. The ability of a processor to issue multiple instructions in the same cycle is referred to as superscalar execution.

<ol style="list-style-type: none"> 1. load R1, @1000 2. load R2, @1008 3. add R1, @1004 4. add R2, @100C 5. add R1, R2 6. store R1, @2000 	<ol style="list-style-type: none"> 1. load R1, @1000 2. add R1, @1004 3. add R1, @1008 4. add R1, @100C 5. store R1, @2000 	<ol style="list-style-type: none"> 1. load R1, @1000 2. add R1, @1004 3. load R2, @1008 4. add R2, @100C 5. add R1, R2 6. store R1, @2000
(i)	(ii)	(iii)

(a) Three different code fragments for adding a list of four numbers.

- Register numbers begin with the letter *r*, like *r0*, *r1*, *r2*.
- Immediate (scalar) values begin with the hash mark #, like #100, #200.
- Memory addresses begin with the at sign @, like @1000, @1004.



(b) Execution schedule for code fragment (i) above.

```
1. load R1, @1000
2. load R2, @1008
3. add R1, @1004
4. add R2, @100C
5. add R1, R2
6. store R1, @2000
```

(i)

```
1. load R1, @1000
2. add R1, @1004
3. add R1, @1008
4. add R1, @100C
5. store R1, @2000
```

(ii)

```
1. load R1, @1000
2. add R1, @1004
3. load R2, @1008
4. add R2, @100C
5. add R1, R2
6. store R1, @2000
```

(iii)

(a) Three different code fragments for adding a list of four numbers.

- **Data dependency:** the result of an instruction is required for subsequent instructions.
 - Code fragment (ii): 1. load R1, @1000
2. add R1, @1004
- **Resource dependency:** Two instructions need same resources.
 - Ex. Co-scheduling of two floating point operations on a dual issue machine with a single floating point unit.
- **Dynamic instruction issue:** issue instructions *out-of-order*
 - Code fragment (iii): issue 1. load R1, @1000; and 3. load R2, @1004 together
- Current microprocessors typically support up to four-issue superscalar execution.

```
int sum1(int k,
int a[])
{
    int i, tmp =0;
    for(i=0;i<k;i++)
        tmp += a[i];
    return tmp;
}
```

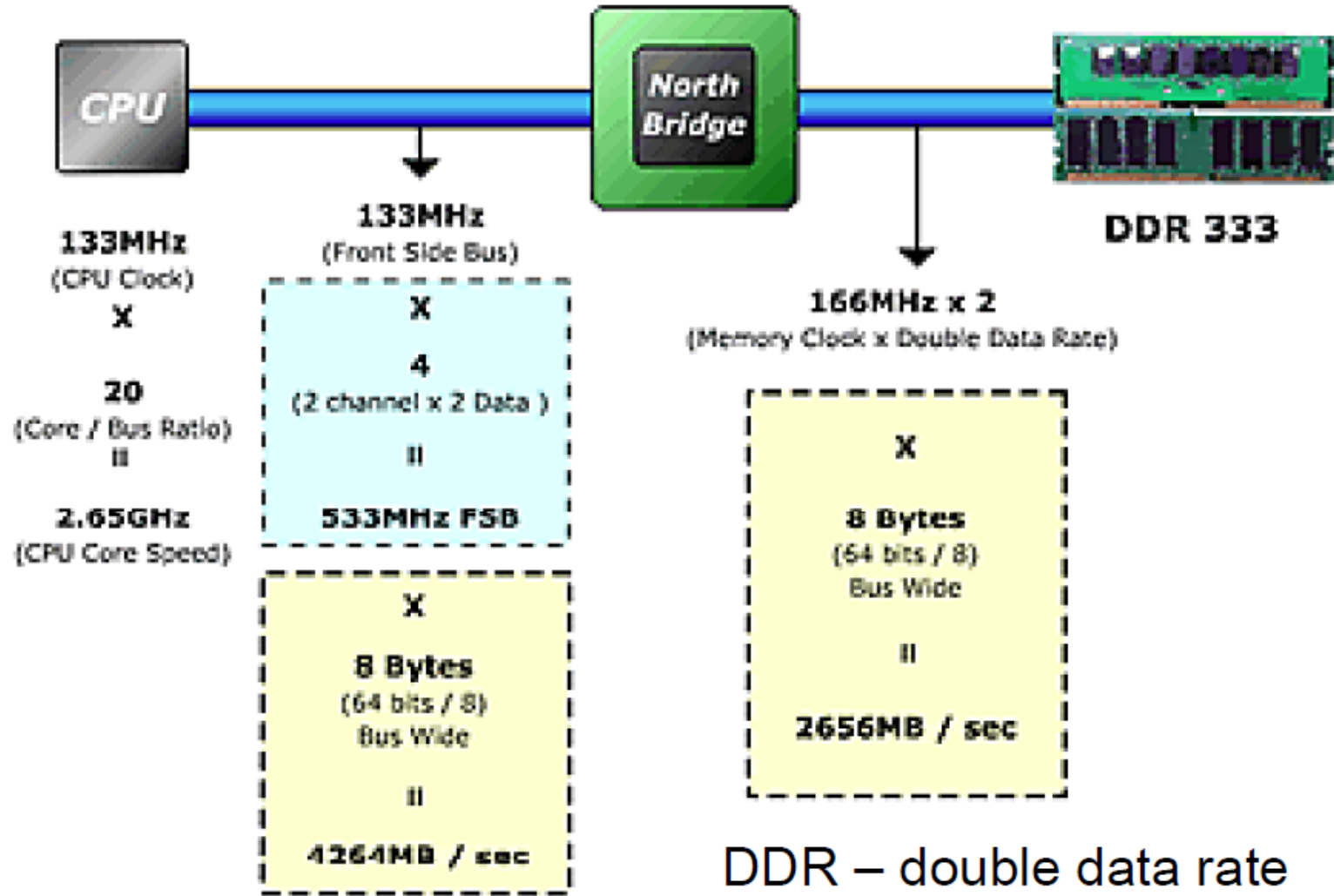
```
int sum2(int k,
int *a)
{
    int i, tmp =0;
    for(i=0;i<k;i+=4)
        tmp +=
a[i]+a[i+1]+a[i+2]+a[i+3];
    return tmp;
}
```

```
int sum2(int k,
int *a)
{
    int i, tmp =0;
    for(i=0;i<k;i+=4)
        tmp +=
*a+*(a+1)+*(a+2)+*(a+3);
    return tmp;
}
```

Which code fragment complies with superscalar execution?

Effect of memory latency on performance (1)

von Neumann Bottleneck: the transfer of data and instructions between memory and the CPU is inherently sequential.



- **Latency** of the memory: the time that a CPU takes to get a block of data from the memory system.
- **Bandwidth** of the memory: the rate at which data can be pumped from the memory to the processor.

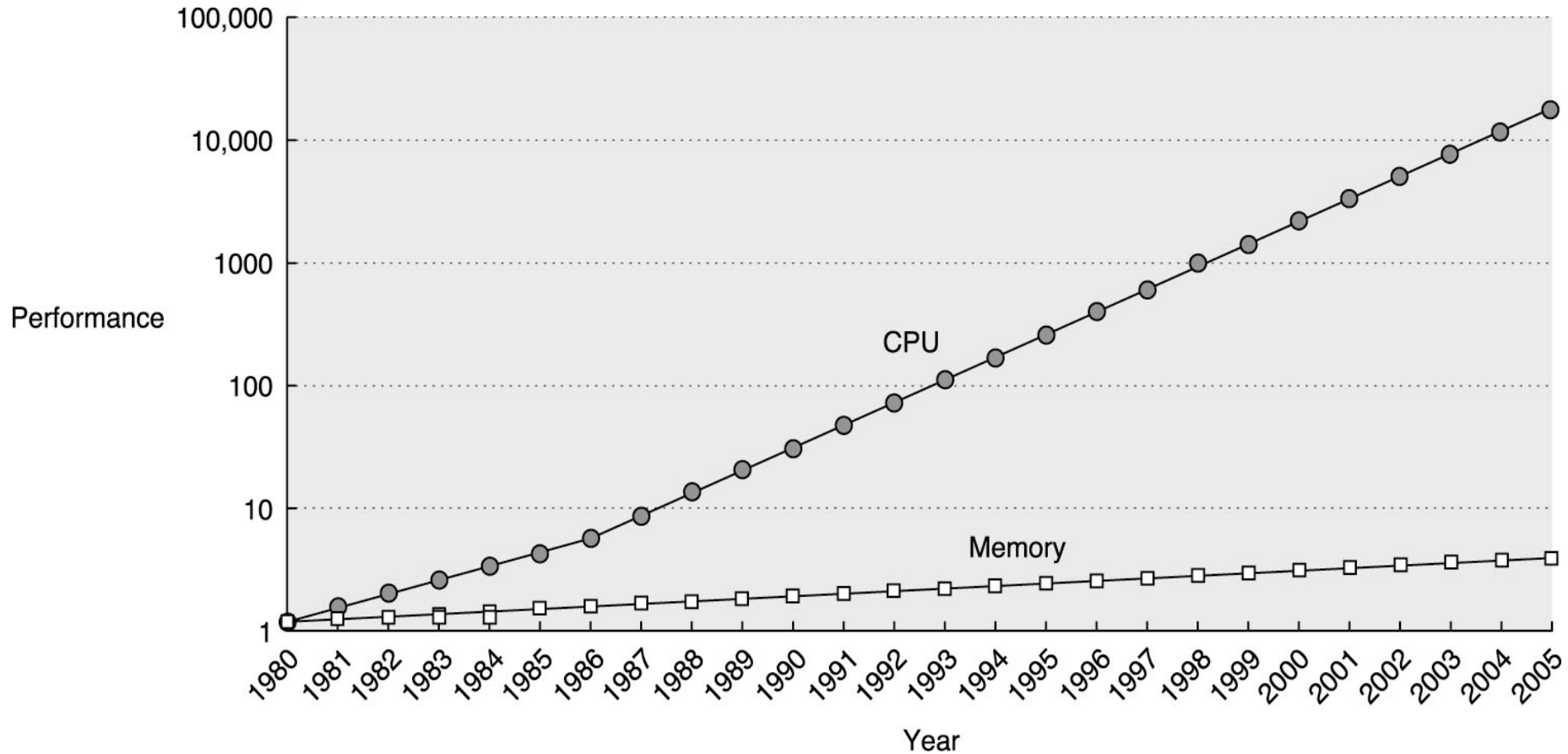
Effect of memory latency on performance (2)

Example. Assume a CPU operates at 1GHz (1 ns clock) and is connected to a DRAM with a latency of 100 ns. Assume the CPU has 2 multiply-add units and is capable of executing 4 instructions in each cycle of 1 ns. The peak CPU rating is 4GFLOPS (floating-point operations per second).

Since the memory latency is 100 cycles, CPU must wait 100 cycles before it can process data. Therefore, the peak speed of computation is 10MFLOPS.

Remark: $10\text{MFLOPS}/4\text{GFLOPS} = 1/400$.

Source of slowness: CPU and memory speed

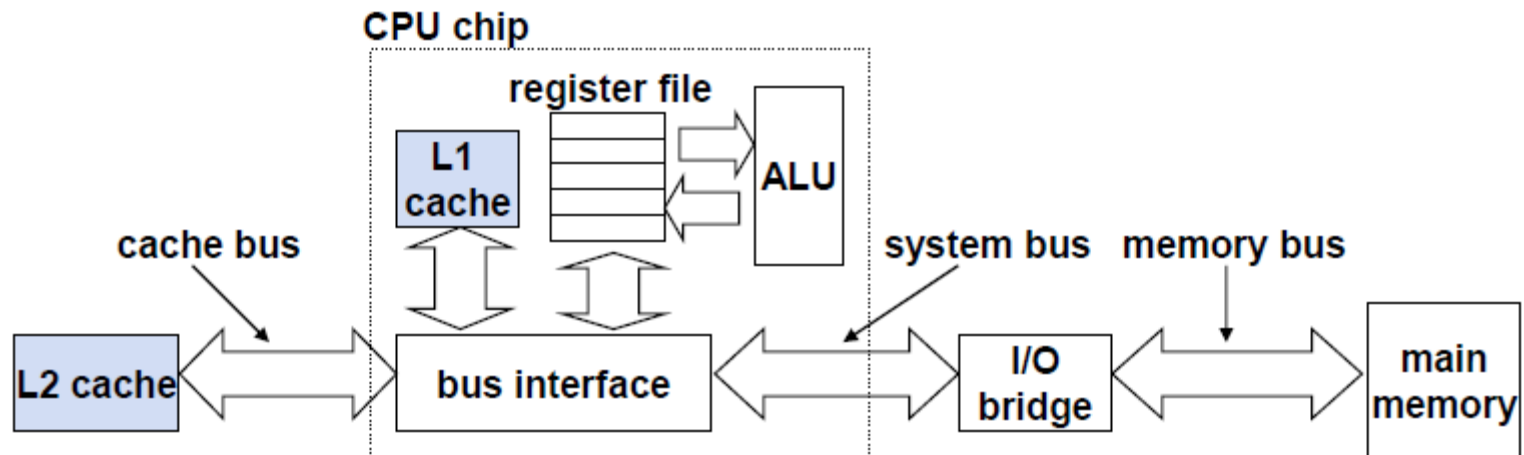


From Hennessy and Patterson, "Computer Architecture: A Quantitative Approach," 3rd Edition, 2003, Morgan Kaufman Publishers.

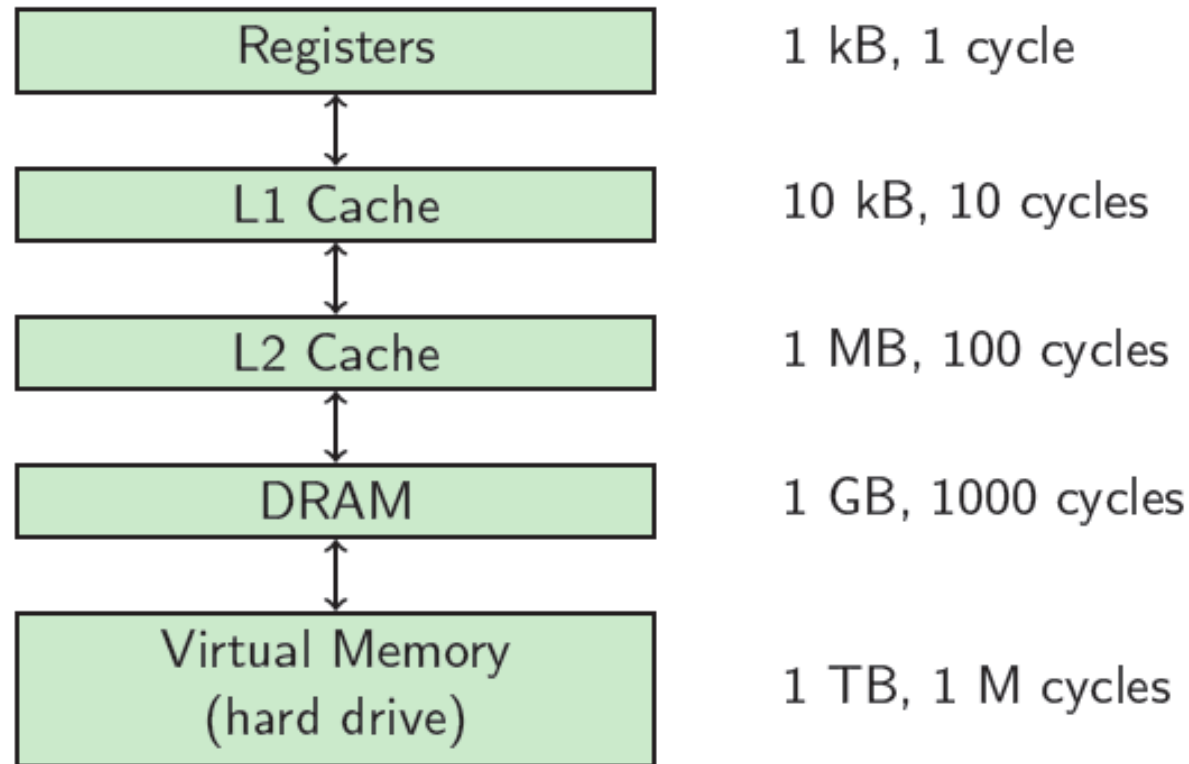
© 2003 Elsevier Science (USA). All rights reserved.

Improving effective memory latency using cache memories (1)

- Put a look-up table of recently used data onto the CPU chip.
- Cache memories are small, fast SRAM-based memories (low memory latency) managed automatically in hardware.
- CPU look first for data in L1, then in L2,..., then in main memory



Hierarchy of increasingly bigger, slower memories



In 1998

SRAM	2 - 25ns	\$100 to \$250 per Mbyte.	Cache
DRAM	60-120ns	\$5 to \$10 per Mbyte.	Memory
Disk	10 to 20 million ns	\$0.10 to \$0.20 per Mbyte.	Disk

Organization of a cache memory

Each memory address is m bits

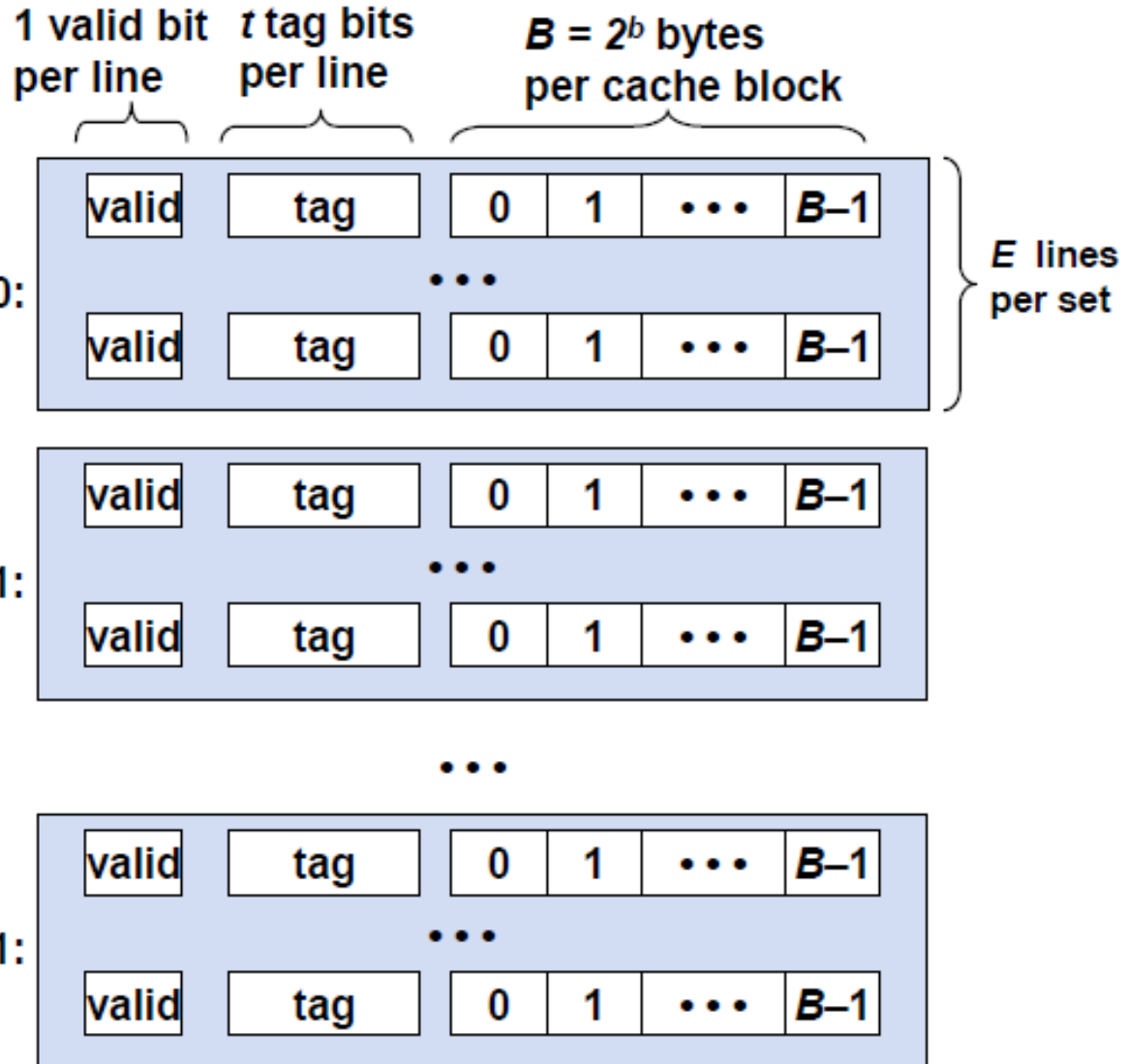
Cache is an array of $S = 2^s$ sets

Each set contains one or more lines (E)

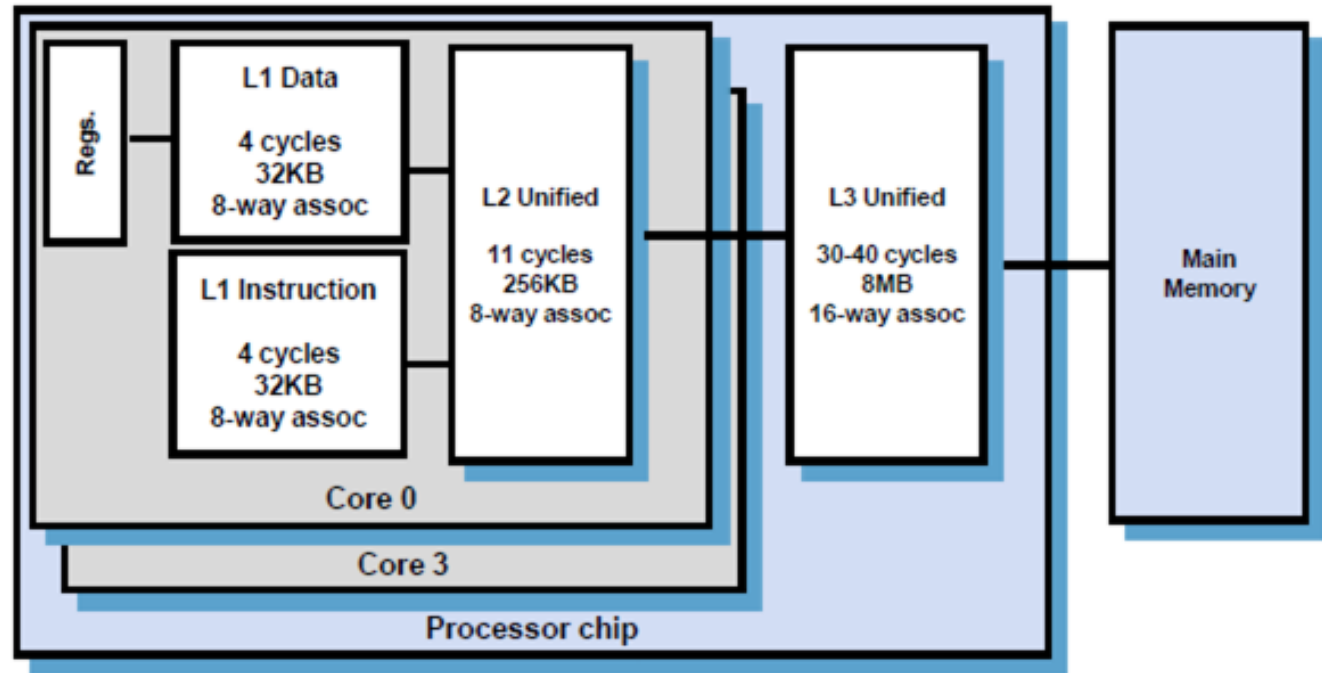
Each line holds a block of data (size B)

$S = 2^s$ sets

Cache size:
 $C = S \times E \times B$
data bytes



Core i7 cache hierarchies



larger,
slower,
cheaper

Size:	32KB	256KB	8MB
E:	8-way	8-way	16-way
Access:	4 cycles	11 cycles	30-40 cycles

Improving effective memory latency using cache memories (2)

Example. Consider to use a 1GHz CPU with a latency of 100 ns DRAM, and a cache of size 32KB with a latency of 1 ns to multiply two matrices A and B of dimensions 32×32 .

Fetching A and B into cache corresponds to fetching **2K** words, taking 200 μ s. Multiplying A and B takes $2n^3$ operations = **64K** operations, which can be performed in 16K cycles (or 16 μ s) at 4 instructions per cycle.

The total time for computing = 200 + 16 μ s.

Peak computing rate = **64K**/216 μ s = 303 MFLOPS.

Notice:

There is repeated reference to the same data item.

Temporal locality of reference: repeated reference to a data item in a small time window.

Cache performance measurements (1)

- ***Miss rate***
 - Fraction of memory references not found in cache
- ***Hit ratio***
 - Fraction of data references found in the cache
- ***Hit time***
 - Time to deliver a line in the cache to the processor, including time to determine whether the line is in the cache
- ***Missing penalty***
 - Additional time required because of a miss

Cache performance measurements (2)

- Big difference between a hit and a miss

Example. Assume that cache hit time is 1 cycle, and miss penalty is 100 cycles. A 99% hit rate is twice as good as 97% rate.

-- Average access time

1. 97% hit rate: $0.97 * 1 + 0.03 * (1+100) = 4$ cycles
2. 99% hit rate: $0.99 * 1 + 0.01 * (1+100) = 2$ cycles

Remark: The effective computation rate of many applications is bounded not by the processing rate of the CPU, but by the rate at which data can be pumped into the CPU.

Impact of Memory Bandwidth

- Improving the bandwidth: increase the size of memory blocks per fetch, e.g., instead of returning one word per fetch, four words (**cache line**) are returned.

Example. Consider to use a 1GHz CPU with a latency of 100 ns DRAM, and a cache line of 1 word with a latency of 1 ns to do dot-product of two vectors. For each pair of words, the dot-product performs one multiply-adds, i.e., two FLOPS. The algorithm performs one FLOP every 100 cycles for a peak speed of 10 MFLOPS (assuming the length of a component of the vector is a word).

Now assume that the processor can fetch a four-word cache line every 100 cycles and the vectors are laid out linearly in memory. **Eight** FLOPS (4 multiply-adds) can be performed in 200 cycles. This corresponds to a peak speed of 40 MFLOPS.

Cache hit ratio: With 4-word cache line, there are two DRAM accesses for every 8 data accesses required by dot-product. This corresponds to 6/8(75%) hit ratio. Thus the average memory access time is $25\% \times 100\text{ns} + 75\% \times 1\text{ns}$.

Remark: This increased in bandwidth of memory system increases the performance bounds.

Spatial locality of memory access: Consecutive data words in memory are used by successive instructions

Writing cache-friendly code (1)

- Principle of **locality**:

- programs tend to reuse/use data items recently used or nearby those recently used

- *Temporal locality*: Recently referenced items are likely to be referenced in the near future

- *Spatial locality*: Items with nearby addresses tend to be referenced close together in time

Data

- Reference array elements in succession: spatial locality

- Reference “sum” in each iteration: temporal locality

Instructions

- Reference instructions in sequence: Spatial locality

- Cycle through loop repeatedly: Temporal locality

```
sum = 0;
for (i = 0; i < n; i++)
    sum += a[i];
return sum;
```

How caches take advantage of temporal locality

- The first time the CPU reads from an address in main memory, a copy of that data is also stored in the cache.
 - The next time that same address is read, the copy of the data in the cache is used instead of accessing the slower DRAM
- Commonly accessed data is stored in the faster cache memory

How caches take advantage of spatial locality

- When the CPU reads location i from main memory, a copy of that data is placed in the cache.
- Instead of just copying the contents of location i , we can copy several values into the cache at once, such as the four words from locations i through $i+3$.
 - If the CPU does need to read from locations $i+1$, $i+2$ or $i+3$, it can access that data from the cache.

Writing cache-friendly code (2)

In C/C++ language, array is stored in row-major order in memory

```
int sumarrayrows(int a[M][N])
{
    int i, j, sum = 0;

    for (i = 0; i < M; i++)
        for (j = 0; j < N; j++)
            sum += a[i][j];
    return sum
}
```

```
int sumarraycols(int a[M][N])
{
    int i, j, sum = 0;

    for (j = 0; j < N; j++)
        for (i = 0; i < M; i++)
            sum += a[i][j];
    return sum
}
```

Assume that there is a 4-words cache with 4-words cache lines.

Left code has miss rate = $\frac{1}{4} = 25\%$

Right code has miss rate = 100%

Remark: programming with better spatial locality

- Example: Compute column sums of a matrix
 1. `for(i = 0; i < 1024; i++){`
 2. `c_sum[i]= 0.0;`
 3. `for(j = 0; j<1024; j++)`
 4. `c_sum[i] += b[j][i];`
 5. `}`
- Problems associated with this code:
 - Poor cache utilization (frequent cache misses). The j loop accesses entries in `b[][]`. This corresponds to accessing every 1024-th entry in the 1D array of `b[0][0]`, `b[0][1]`, ..., `b[0][1023]`, `b[1][0]`,
 - No spatial locality. It's likely that one word per cache line fetched from memory will be used.

- Swapping loop order:

1. `for(i = 0; i < 1024; i++) // this can be replaced by memset()`
2. `c_sum[i]= 0.0;`
3. `for(j = 0; j < 1024; j++){`
4. `for(i = 0; i<1024; i++)`
5. `c_sum[i] += b[j][i];`
6. `}`

Rearranging loops to improve locality

Miss rate analysis for matrix-matrix multiplication

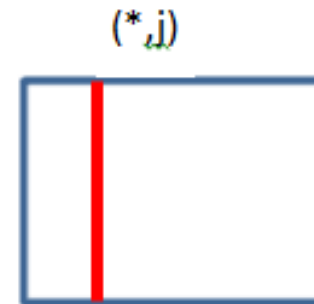
- Assume a single matrix row does not fit in L1, each cache block holds 4 elements, and compiler stores local variables in registers.

```
/* ijk */
```

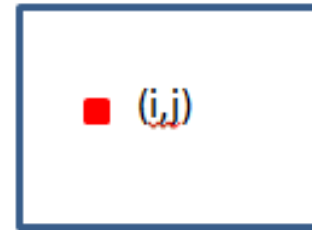
```
for(i=0; i < n; i++)  
{  
  for(j=0; j < n; j++)  
  {  
    sum = 0.0;  
    for(k=0; k < n; k++)  
      sum += a[i][k]*b[k][j];  
    c[i][j] = sum;  
  }  
}
```



A



B



C

Per iteration

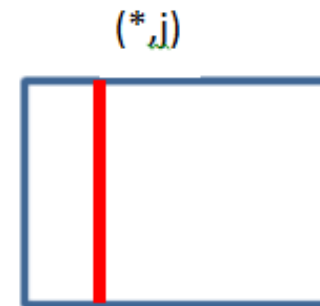
Loads	Stores	A misses	B misses	C misses	Total misses
2	0	0.25	1.00	0.00	1.25

/ jik */*

```
for (j = 0; j < n; j++)  
{  
  for(i=0; i < n; i++)  
  {  
    sum = 0.0;  
    for(k=0; k < n; k++)  
      sum += a[i][k]*b[k][j];  
    c[i][j] = sum;  
  }  
}
```

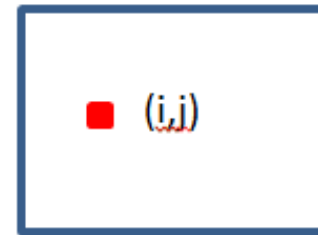


(i,*)



(*j)

B



(i,j)

C

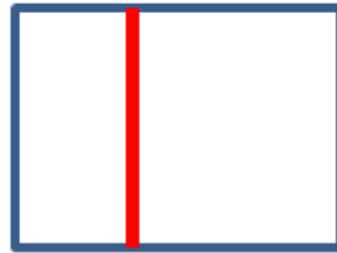
Per iteration

Loads	Stores	A misses	B misses	C misses	Total misses
2	0	0.25	1.00	0.00	1.25


```
/* jki */
```

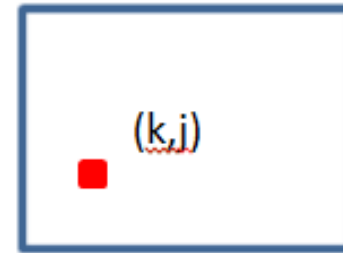
```
for (j = 0; j < n; j++)  
{  
  for(k=0; k < n; k++)  
  {  
    r = b[k][j];  
    for(i=0; i < n; i++)  
      c[i][j] += a[i][k] * r;  
  }  
}
```

(* ,k)



A

(k,j)



B

(* ,j)



C

Per iteration

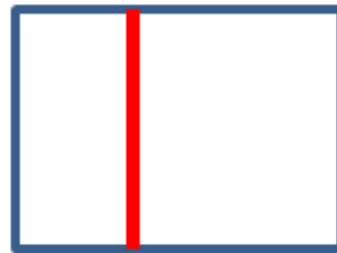
Loads	Stores	A misses	B misses	C misses	Total misses
2	1	1.00	0.00	1.00	2.00

- Scan A and C with stride of n
- 1 more memory operation

```
/* kj */
```

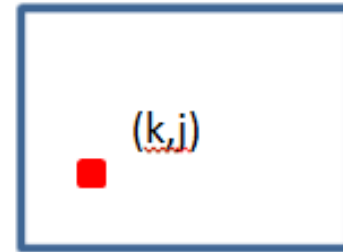
```
for (k = 0; k < n; k++)  
{  
  for(j = 0; j < n; j++)  
  {  
    r = b[k][j];  
    for(i = 0; i < n; i++)  
      c[i][j] += a[i][k] * r;  
  }  
}
```

(*,k)



A

(k,j)



B

(*,j)



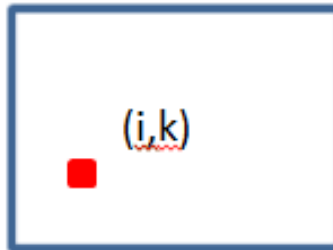
C

Per iteration

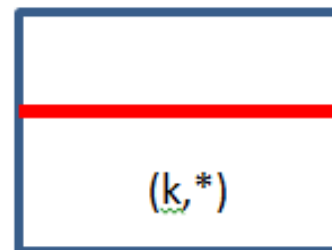
Loads	Stores	A misses	B misses	C misses	Total misses
2	1	1.00	0.00	1.00	2.00

```
/* kij */
```

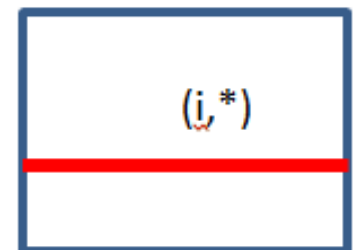
```
for (k = 0; k < n; k++)  
{  
  for(i = 0; i < n; i++)  
  {  
    r = a[i][k];  
    for(j = 0; j < n; j++)  
      c[i][j] += r * b[k][j];  
  }  
}
```



A



B



C

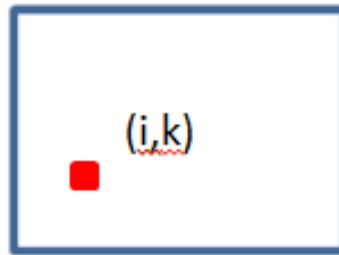
Per iteration

Loads	Stores	A misses	B misses	C misses	Total misses
2	1	0.00	0.25	0.25	0.50

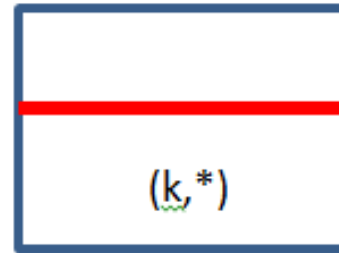
Trade-off: one memory operation – fewer misses

```
/* ikj */
```

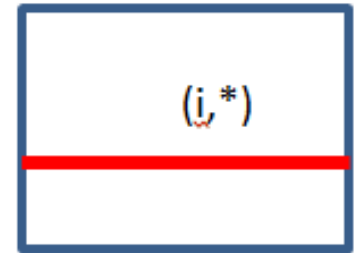
```
for (i = 0; i < n; i++)  
{  
  for(k = 0; k < n; k++)  
  {  
    r = a[i][k];  
    for(j = 0; j < n; j++)  
      c[i][j] += r * b[k][j];  
  }  
}
```



A



B

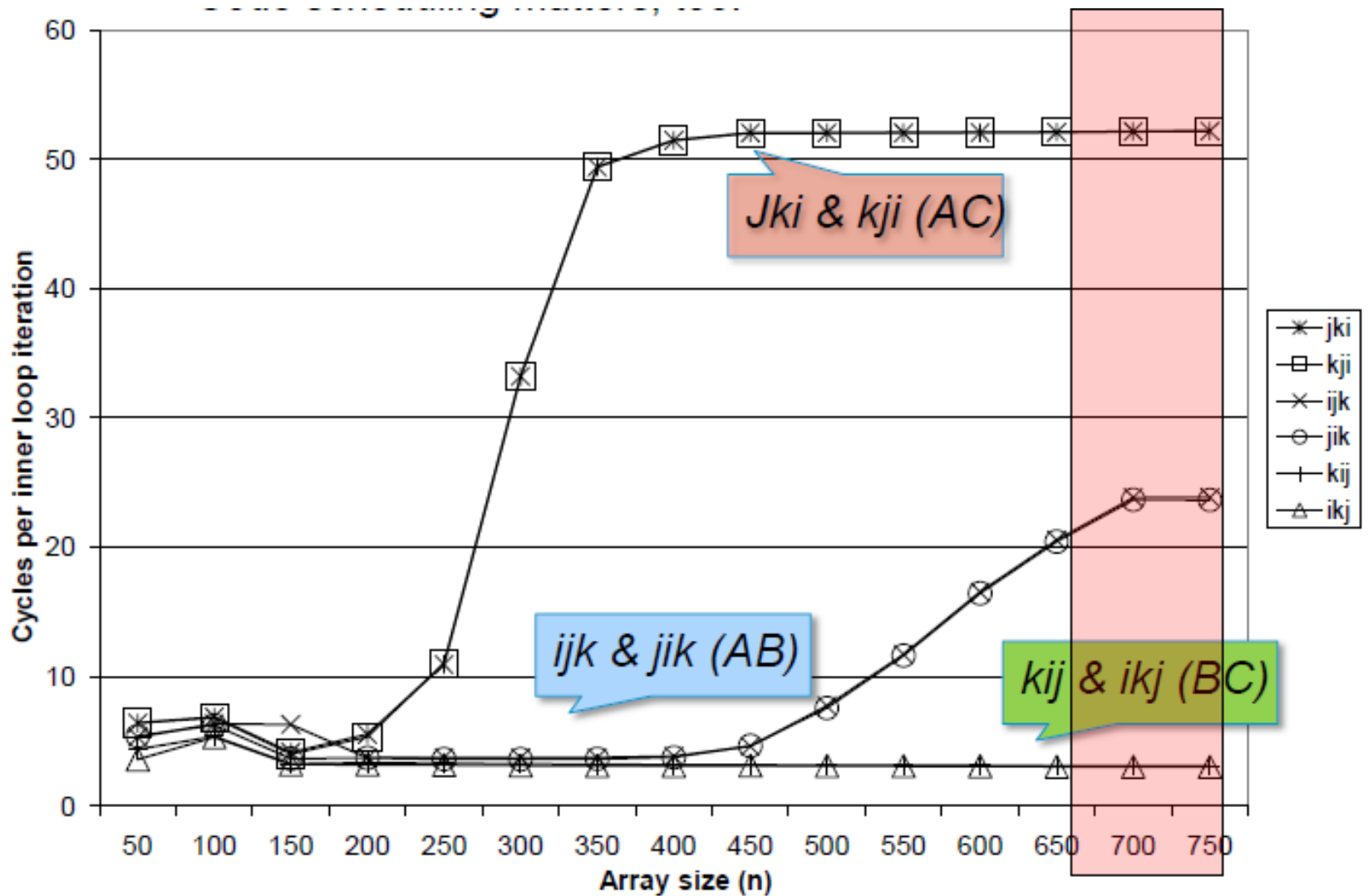


C

Per iteration

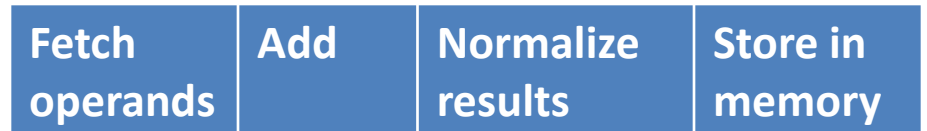
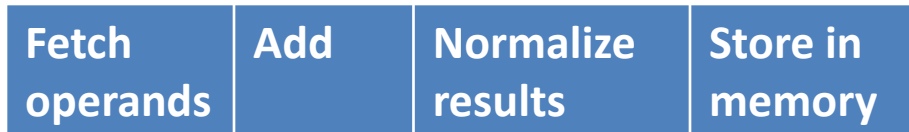
Loads	Stores	A misses	B misses	C misses	Total misses
2	1	0.00	0.25	0.25	0.50

Core i7 Matrix-matrix multiplication performance



Sequential Operation

```
Double x[100], y[100], z[100];  
for (i = 0; i < 100; i++)  
    z[i] = x[i] + y[i];
```



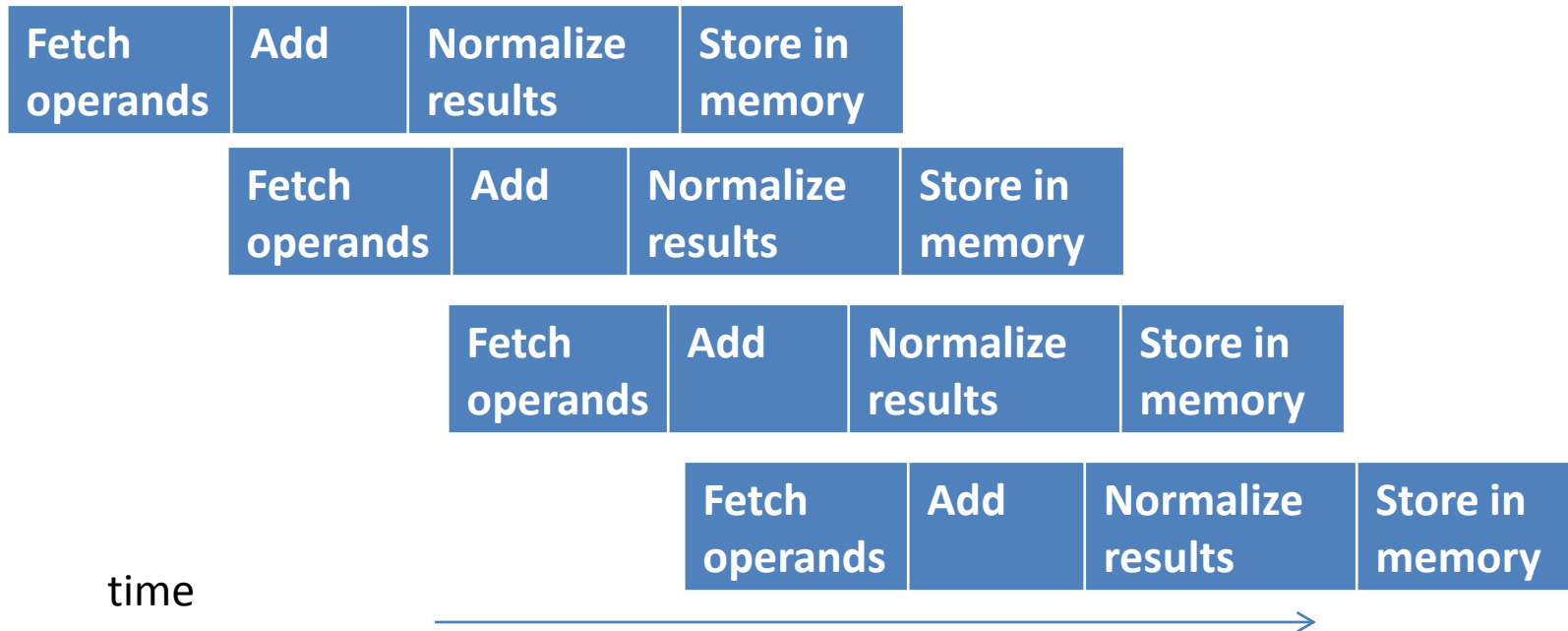
Solution: Pipelining

Divide a computation into stages that can support concurrency.

```
Double x[100], y[100], z[100];
```

```
for (i = 0; i < 100; i++)
```

```
    z[i] = x[i] + y[i];
```



Another improvement: Vector processor pipeline.
Example: Cray 90

Loop Unrolling

Loop unrolling:

```
for (i = 0; i < 100; i++)  
    do_a(i);
```

```
for (i = 0; i < 100; i+=2)  
{  
    do_a(i);  
    do_a(i+1);  
}
```

Remark: Loop unrolling can reduce the number of loop maintenance instruction executions by the loop unrolling factor

Example:

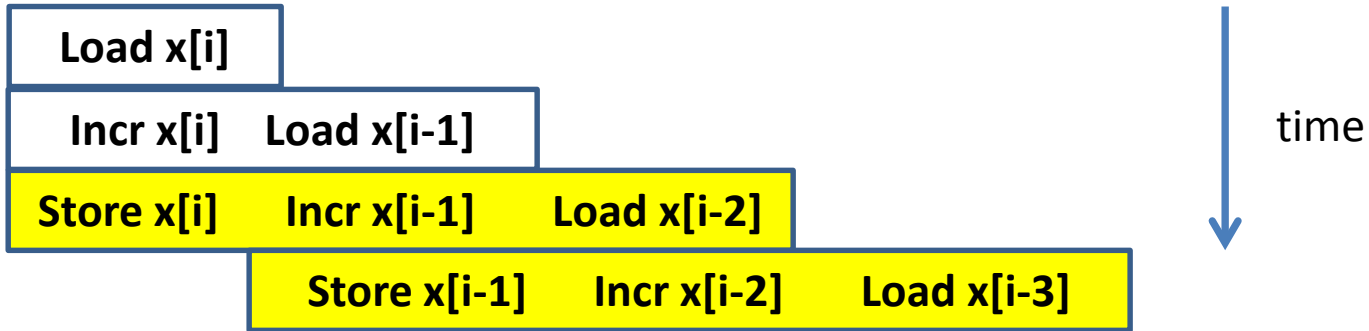
```
for (i = 0; i < 1000; i++)  
{  
    a[i] = b[i] + c[i];  
}
```

```
for (i = 0; i < 1000; i+=2)  
{  
    a[i] = b[i] + c[i];  
    a[i+1] = b[i+1] + c[i+1];  
}
```


Software Pipelining

Software pipeline the C loop:

```
for (i=1000;i>=1;i--)  
    x[i]=x[i]+s;
```



```
t=x[1000];  
g=t+s;  
t=x[999];  
for (i=1000;i>=2;i--)  
{  
    x[i]=g;           // i store  
    g=t+s;           // i-1 add  
    t=x[i-2];        // i-2 load  
}  
x[2]=g;  
g=t+s;  
x[1]=g;
```

Use Pointer to Improve Efficiency

```
int sum1(int k, int
a[])
{
    int i, tmp =0;
    for(i=0;i<k;i++)
        tmp += a[i];
    return tmp;
}
```

```
int sum2(int k, int *a)
{
    int i, tmp =0;
    for(i=0;i<k;i++)
        tmp += *a++;
    return tmp;
}
```

References

- https://computing.llnl.gov/tutorials/parallel_comp/
- www.top500.org
- A.S. Tanenbaum. Structured Computer Organization
- Microcomputer Systems: The 8086/8088 Family
- <http://www.cpu-world.com/Arch/8086.html>
- Chapter 1, Section 2.1 of Introduction to Parallel Computing