

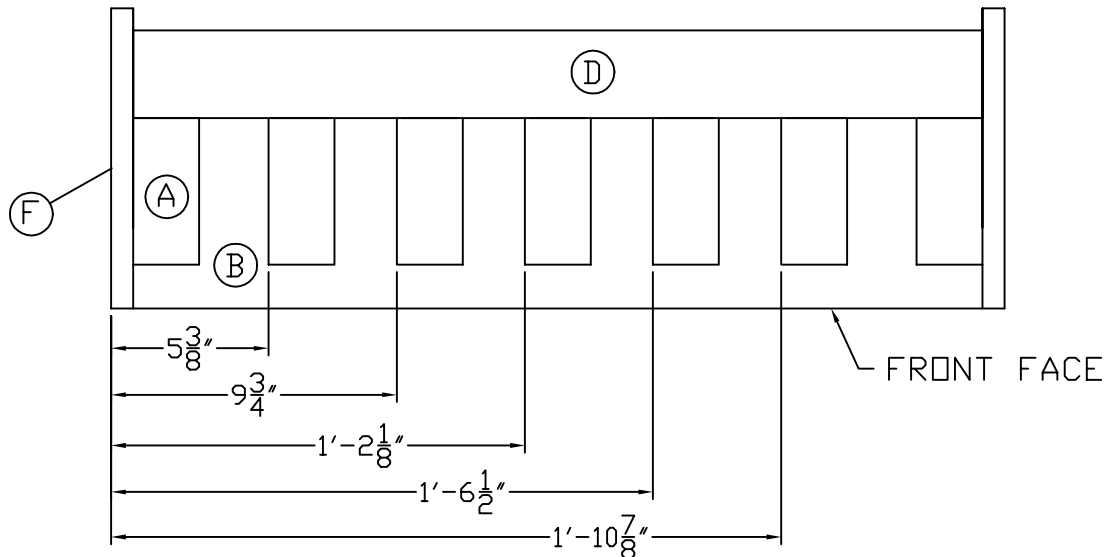
Wild Mike's Western Designs

CUT PIECES PER CUTTING DIAGRAM.

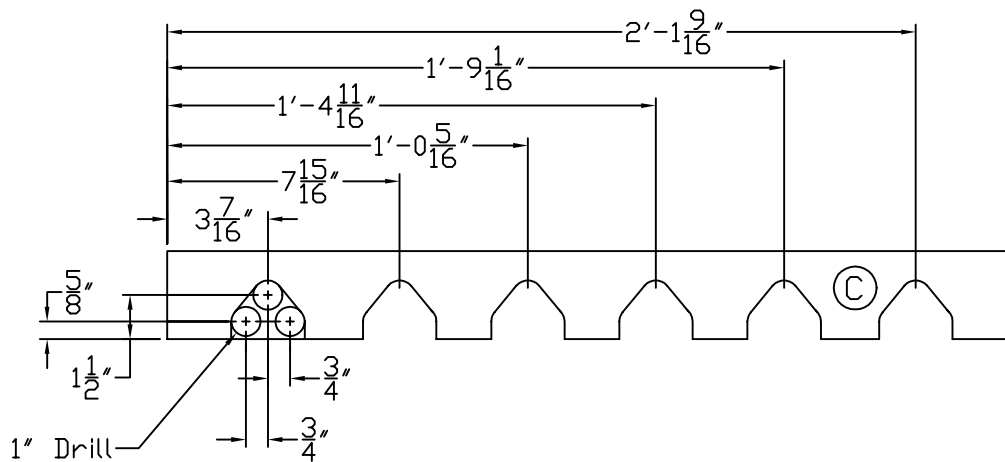
ASSEMBLE PIECES (B) AND (F) INTO A BOX.

INSERT DIVIDER PIECE (H).

ADD PIECES (D) AND (A).



CUT (C) PER DETAIL BELOW AND SET ASIDE.



LAY BOX ASSEMBLY ON FRONT FACE AND PLACE THE 4 PEICES OF (G), SQUARE UP AND ATTACH.

ADD SIDES (E) AND TOP RACK PEICE (C).

STAIN OR PAINT AND ADD A LOCKING CHAIN AS DESIRED.