

# Locating and counting equilibria of the Kuramoto model with rank one coupling

Owen Coss\*    Jonathan D. Hauenstein†    Hoon Hong‡    Daniel K. Molzahn§

April 28, 2017

## Abstract

The Kuramoto model describes synchronization behavior among coupled oscillators and enjoys successful application in a wide variety of fields. Many of these applications seek phase-coherent solutions, i.e., equilibria of the model. Historically, research has focused on situations where the number of oscillators,  $n$ , is extremely large and can be treated as being infinite. More recently, however, applications have arisen in areas such as electrical engineering with more modest values of  $n$ . For these, the equilibria can be located by solving a system of polynomial equations utilizing techniques from algebraic geometry. Typical methods for solving such systems locate all complex solutions even though only the real solutions, corresponding to equilibria of the model, are of physical interest. In this paper, we develop an algorithm to locate only all equilibria of the model, thereby shortening computation time by several orders of magnitude in certain situations. This is accomplished by choosing specific equilibria representatives and the consequent algebraic decoupling of the system. We compare this solving approach to other computational algebraic geometric methods. Furthermore, analyzing this approach allows us to prove, asymptotically, that the maximum number of equilibria grows at the same rate as the number of complex solutions of a corresponding polynomial system. Finally, we conjecture an upper bound on the maximum number of equilibria for any number of oscillators which generalizes the known cases and is obtained on a range of explicitly provided natural frequencies.

**Keywords.** Kuramoto model, equilibria, univariate solving, homotopy continuation, numerical algebraic geometry

**AMS Subject Classification.** 65H10, 68W30, 14Q99

## 1 Introduction

Oscillatory dynamics characterize many important systems. For such systems, it is important to understand the synchronization behavior of coupled oscillators, especially when conducting stability assessments. Synchronization behavior is characterized by the equilibria of the associated dynamic model. This paper is concerned with locating and counting equilibria of a certain generalization of the Kuramoto model [19], which we call a *rank-one coupled* Kuramoto model.

---

\*Department of Mathematics, North Carolina State University (otcoss@ncsu.edu, [www.math.ncsu.edu/~otcoss](http://www.math.ncsu.edu/~otcoss)).

†Department of Applied and Computational Mathematics and Statistics, University of Notre Dame (hauenstein@nd.edu, [www.nd.edu/~jhauenst](http://www.nd.edu/~jhauenst)). This author was partially supported by NSF grant ACI-1460032, Sloan Research Fellowship BR2014-110 TR14, U.S. Army Research Office grant W911NF-15-1-0219 under the Young Investigator Program, and Office of Naval Research grant N00014-16-1-2722.

‡Department of Mathematics, North Carolina State University (hong@ncsu.edu, [www.math.ncsu.edu/~hong](http://www.math.ncsu.edu/~hong)). This author was partially supported by NSF grant 1319632.

§Energy Systems Division, Argonne National Laboratory (dmolzahn@anl.gov).

**Kuramoto model:** The standard Kuramoto model for  $n \geq 2$  oscillators has all-to-all and uniform coupling among the oscillators. It is formulated as the following system of coupled first-order ordinary differential equations:

$$\frac{d\theta_\nu}{dt} = \omega_\nu - \frac{K}{n} \sum_{\mu=1}^n \sin(\theta_\nu - \theta_\mu), \quad \text{for } \nu = 1, \dots, n \quad (1)$$

where  $K > 0$  is the uniform coupling strength, and each parameter  $\omega_\nu$  and variable  $\theta_\nu$  denote the natural frequency and phase angle of the  $\nu^{\text{th}}$  oscillator, respectively. There is a large body of literature for the Kuramoto model (1) and its many variants, e.g., non-uniform coupling among oscillators and allowance for second-order dynamics. The wide variety of applications of the Kuramoto model in modeling oscillatory behavior include electrical engineering [36, 12, 13], biology [33], and chemistry [30, 20, 3]. See [34, 1, 13] and the references therein for a more detailed survey of the relevant literature and extensive applications.

**Rank-one coupled Kuramoto model:** In this paper, we consider a slight generalization with a non-uniform coupling between the oscillators described by a symmetric rank one matrix. In particular, for  $k = (k_1, \dots, k_n) \in \mathbb{R}_{>0}^n$ , the  $\nu^{\text{th}}$  and  $\mu^{\text{th}}$  oscillators are coupled with strength  $k_\nu k_\mu$  yielding the model

$$\frac{d\theta_\nu}{dt} = \omega_\nu - \frac{1}{n} \sum_{\mu=1}^n k_\nu k_\mu \sin(\theta_\nu - \theta_\mu), \quad \text{for } \nu = 1, \dots, n. \quad (2)$$

The standard Kuramoto case (1) corresponds with  $k = (\sqrt{K}, \dots, \sqrt{K})$ . We are concerned with the equilibria of the rank-one coupled Kuramoto model (2), which are the solutions to the system of nonlinear equations resulting from setting  $\frac{d\theta_\nu}{dt}$  equal to 0 in (2), namely

$$\omega_\nu = \frac{1}{n} \sum_{\mu=1}^n k_\nu k_\mu \sin(\theta_\nu - \theta_\mu), \quad \text{for } \nu = 1, \dots, n. \quad (3)$$

This generalization was originally motivated by applications where the coupling is non-uniform, such as in a power flow model [36, 12, 13] in which the coupling matrix could be of arbitrary rank. However, as demonstrated in Ex. 3.11, with a lossless power system and uniform line susceptances, the equilibria of the power flow equations correspond to the equilibria of the rank-one coupled Kuramoto model (3). Hence, (3) can be viewed as an initial generalization (rank one) toward the full generalization (arbitrary rank).

We address two natural problems: locating all of the equilibria and counting them.

**Locating all equilibria:** In [31, 26, 25], homotopy continuation and numerical algebraic geometry [32, 4] were applied to the standard Kuramoto model and various non-uniform coupling generalizations by converting the corresponding system describing the equilibria into a polynomial system. For example, with  $s_\nu = \sin(\theta_\nu)$  and  $c_\nu = \cos(\theta_\nu)$ , (3) corresponds to the polynomial system

$$\omega_\nu = \frac{1}{n} \sum_{\mu=1}^n k_\nu k_\mu (s_\nu c_\mu - s_\mu c_\nu), \quad 1 = c_\nu^2 + s_\nu^2, \quad \text{for } \nu = 1, \dots, n. \quad (4)$$

Even though all complex solutions were computed, only the real solutions are physically meaningful, i.e., correspond to equilibria, so that a post-processing step is necessary to filter out the

nonreal solutions. In other words, homotopy continuation expends computational effort to compute all complex solutions when only the real solutions are relevant. Using parallel computing techniques, such a method has been applied to problems with  $n \leq 18$  [26].

In [22], a specialized continuation method was proposed which finds only the equilibria so that the computational cost scales with the number of real solutions of the corresponding polynomial system rather than the number of complex solutions. However, the robustness proof showing that it locates all equilibria was shown to be flawed [7] with a counterexample presented in [27]. In [21], a modification of the method based on an elliptical reformulation of equations was shown to have improved robustness. There currently does not exist a robustness proof for this modification or a known counterexample, so the capabilities of this method remain to be fully characterized.

In summary, despite significant progress, the aforementioned approaches either quickly become intractable as  $n$  increases or are not proven to find all equilibria. One of the main contributions of this paper is to provide a new algorithm that can handle much larger values of  $n$  which is also rigorously proved to find all equilibria. For instance, in Section 3.3, we demonstrate our approach on an example with  $n = 60$  which computes all equilibria in under a second.

**Counting equilibria:** The second problem is to determine the maximum number of equilibria.<sup>1</sup> Existing upper bounds on the number of equilibria are based on bounds for the number of complex solutions to (4). In [2], an upper bound on the number of equilibria of the Kuramoto model with an arbitrary coupling matrix  $\kappa \in \mathbb{R}^{n \times n}$ , i.e., the equilibria satisfy

$$\omega_\nu = \frac{1}{n} \sum_{\mu=1}^n \kappa_{\nu\mu} \sin(\theta_\nu - \theta_\mu), \quad \text{for } \nu = 1, \dots, n, \quad (5)$$

is  $\binom{2n-2}{n-1}$ . This bound is sharp for  $n = 2$  and  $n = 3$ . As shown in [24], it is possible to have 16 equilibria for  $n = 4$ , but this leaves a gap to the upper bound of  $\binom{2 \cdot 4 - 2}{4 - 1} = 20$ . It is an open question (first posed in [2, Question 5.1]) whether the upper bound of  $\binom{2n-2}{n-1}$  can be achieved for  $n \geq 4$ .

Other research [8, 9, 28] has produced tighter upper bounds on the number of complex solutions to (5) when the oscillators are not completely connected, i.e., “topologically dependent” bounds.

The number of equilibria for the standard Kuramoto model has been studied for small values of  $n$ . In the standard Kuramoto setting, i.e.,  $k = (\sqrt{K}, \dots, \sqrt{K})$ , there are at most 2 solutions to (3) when  $n = 2$ . For  $n = 3$  and  $n = 4$ , elimination theory was used in [37] to produce a degree six and degree fourteen univariate polynomial, respectively yielding bounds of at most 6 and 14 equilibria. Morse Theory was used to derive similar results for the  $n = 3$  and  $n = 4$  cases in [2]. These aforementioned bounds are tight for  $n = 2$  and  $n = 3$ , but it is currently unknown whether the upper bound of 14 can be achieved for  $n = 4$ . The authors of [37] find a maximum of 10 equilibria in the  $n = 4$  case, which is smaller than the upper bound of 14. Since this maximum was obtained via a computational experiment which gridded the parameter space, they conjecture that 10 is indeed the maximum number of equilibria when  $n = 4$ .

In summary, despite significant progress, there remains several open questions regarding the number of equilibria to the rank-one coupled Kuramoto model. First, for the polynomial system (4), the generic root count, which is the number of solutions for generic values of the parameters, is unknown. Clearly, this is bounded above by  $\binom{2n-2}{n-1}$  which is the generic root count for the corresponding polynomial system in the arbitrary coupling case (5). Moreover, the quality of the relationship between the maximum number of equilibria and the generic root count has not been explored. Three contributions of this paper are to provide such a generic root count for (4), count

---

<sup>1</sup>Counting equilibria up to trivial shifts (see Section 2).

the number of equilibria in particular cases, and use these cases to analyze the asymptotic behavior of the ratio between the maximum number of equilibria and the generic root count for (4).

**Approach:** This paper locates and counts equilibria for arbitrary  $n$  by reformulating (3) into a family of decoupled univariate radical equations.<sup>2</sup> This reformulation enables the development of both new theoretical results and computational tools. Our solving algorithm exploits this reformulation together with new results regarding cases where equilibria cannot exist. Computational experiments demonstrate that this algorithm can be several orders of magnitude faster than the more general computational algebraic geometric methods [31, 15, 32, 4, 26, 25] and elliptical continuation [22, 21] algorithms when applied to (4).

This reformulation allows us to count the number of equilibria for (3) where the parameters are carefully chosen to have many equilibria. These results extend a conjecture from [37] that the maximum number of equilibria for the standard Kuramoto when  $n = 4$  is 10. Moreover, the particular cases allow us to show that the maximum number of equilibria and the generic root count for (4) have the same asymptotic scaling. This suggests that algorithms which only compute equilibria to (3) will, in the worst-case, computationally scale similar to algorithms that compute all the complex solutions to (4).<sup>3</sup>

The rest of the paper is organized as follows. Section 2 presents the decoupling approach. Section 3 describes an algorithm that uses this reformulation to compute all equilibria satisfying (3) and compares the computational performance of this algorithm with other methods. Section 4 counts the number of equilibria in particular cases and compares the maximum number of equilibria with the generic root count of (4). A short conclusion is provided in Section 5.

## 2 Decoupled reformulation

One approach to solving a multivariate system of equations involves first decoupling the system. In this section, we take this approach and decouple the system (3). A standard method for decoupling is to apply computational tools from elimination theory (i.e. multivariate resultants and Gröbner basis techniques [23, 5, 35, 6, 14, 10, 11]) to the polynomial system (4), thereby obtaining several univariate polynomials, say  $f$  and  $g_1, \dots, g_{2n}$ , such that each solution of (4) is the value of  $g$  at a root of  $f$ . However, the major drawback of this approach is that the obtained polynomials  $f$  and  $g$  are of very high degree (exponential in  $n$ ) with no naturally discernible structure. Thus solving with this method is very time-consuming, even for relatively small  $n$ . In the following, we will instead use an alternate method to decouple the system (3) adapted from Kuramoto's approach [19, 20, §5.4]. This method allows us to exploit the inherent structure of the equations to obtain explicit radical expressions that are quickly solvable by standard solvers.

---

<sup>2</sup>This reformulation is similar in spirit but different than the approach in [37]. Further, the proposed reformulation is not limited to  $n = 2, 3, 4$ .

<sup>3</sup>However, it may be the case that algorithms which compute only the real solutions to (4) have significant computational advantages for many practical problems. For instance, typical operating conditions of power flow problems are expected to have few equilibria relative to the number of complex solutions [31].

To simplify the presentation, we will assume throughout the paper that  $k = (k_1, \dots, k_n)$  and the natural frequencies  $\omega = (\omega_1, \dots, \omega_n)$  satisfy the following three input conditions (IC).

**IC1:**  $\omega_1 + \dots + \omega_n = 0$

From (2),  $\frac{d\theta_1}{dt} + \dots + \frac{d\theta_n}{dt} = \omega_1 + \dots + \omega_n$ , so that equilibria can only exist when  $\omega_1 + \dots + \omega_n = 0$ .

**IC2:**  $\omega \neq (0, \dots, 0)$

The case  $\omega = (0, \dots, 0)$  is not meaningful for intended applications.

**IC3:**  $k_1, \dots, k_n > 0$

The cases involving some  $k_\mu \leq 0$  is not meaningful for intended applications.

If  $\theta = (\theta_1, \dots, \theta_n)$  is a solution of (3), then shifting all angles by  $\phi$ , i.e.,  $(\theta_1 + \phi, \dots, \theta_n + \phi)$ , is also a solution. Thus, we want to compute equilibria modulo shift. One approach, e.g., as used in [26], is to set one of the angles, say  $\theta_n$ , to be zero. A second approach is to fix the “weighted average angle” which is the following output condition (OC).

**OC1:**  $\sum_{\mu=1}^n k_\mu e^{i\theta_\mu} \in \mathbb{R}_{\geq 0}$

This condition is, of course, equivalent to  $\sum_{\mu=1}^n k_\mu \sin(\theta_\mu) = 0$  and  $\sum_{\mu=1}^n k_\mu \cos(\theta_\mu) \geq 0$ . It is a natural extension of the condition used by Kuramoto [19, 20, §5.4].

Now we are ready to decouple the multivariate system of equations (3). The following theorem states the result.

**Theorem 2.1 (Decoupled Reformulation)** *Suppose that  $\omega \in \mathbb{R}^n$  and  $k \in \mathbb{R}_{>0}^n$  satisfy **IC1**, **IC2**, and **IC3**. Let  $\Theta_{\omega,k}$  be the set of all equilibria described via **OC1** satisfying (3). Then we have*

$$\begin{aligned} \Theta_{\omega,k} &= \bigcup_{\sigma \in \{-1, +1\}^n} \Theta_{\omega,k,\sigma} \quad \text{where} \\ \Theta_{\omega,k,\sigma} &= \bigcup_{R \in \mathcal{R}_{\omega,k,\sigma}} \left\{ \theta \in (-\pi, \pi]^n : \sin \theta_\nu = \frac{\omega_\nu}{k_\nu \sqrt{R}} \text{ and } \text{sign } \cos \theta_\nu = \sigma_\nu \text{ for } \nu = 1, \dots, n \right\}, \\ \mathcal{R}_{\omega,k,\sigma} &= \left\{ R \in \mathbb{R}_{>0} : R = \frac{1}{n} \sum_{\mu=1}^n \sigma_\mu \sqrt{k_\mu^2 R - \omega_\mu^2} \right\}. \end{aligned}$$

*Proof:* For  $U = (-\pi, \pi]^n$ , we have

$$\Theta_{\omega,k} = \left\{ \theta \in U : \forall_{\nu \in \{1, \dots, n\}} \omega_\nu = \frac{1}{n} \sum_{\mu=1}^n k_\nu k_\mu \sin(\theta_\nu - \theta_\mu) \text{ and } \mathbf{OC1} \right\}.$$

Since  $\sin \eta = \text{Im } e^{i\eta}$ , **IC3** and factoring yields

$$\Theta_{\omega,k} = \left\{ \theta \in U : \forall_{\nu \in \{1, \dots, n\}} \omega_\nu = \frac{1}{n} k_\nu \text{Im } e^{i\theta_\nu} \sum_{\mu=1}^n k_\mu e^{-i\theta_\mu} \text{ and } \mathbf{OC1} \right\}.$$

From  $e^{-i\alpha} = \overline{e^{i\alpha}}$  and **IC3**, we have

$$\Theta_{\omega,k} = \left\{ \theta \in U : \forall_{\nu \in \{1, \dots, n\}} \omega_\nu = \frac{1}{n} k_\nu \text{Im } e^{i\theta_\nu} \overline{\sum_{\mu=1}^n k_\mu e^{i\theta_\mu}} \text{ and } \mathbf{OC1} \right\}.$$

Since **OC1** is equivalent to  $\exists_{r \in \mathbb{R}_{\geq 0}} r = \frac{1}{n} \sum_{\mu=1}^n k_{\mu} e^{i\theta_{\mu}}$ , we have

$$\Theta_{\omega,k} = \left\{ \theta \in U : \exists_{r \in \mathbb{R}_{\geq 0}} r = \frac{1}{n} \sum_{\mu=1}^n k_{\mu} e^{i\theta_{\mu}} \text{ and } \forall_{\nu \in \{1, \dots, n\}} \omega_{\nu} = r k_{\nu} \operatorname{Im} e^{i\theta_{\nu}} \right\}.$$

If  $r = 0$ , then  $\omega = (0, \dots, 0)$ , contradicting **IC2**. Hence,  $r \neq 0$  so that

$$\Theta_{\omega,k} = \left\{ \theta \in U : \exists_{r \in \mathbb{R}_{> 0}} r = \frac{1}{n} \sum_{\mu=1}^n k_{\mu} e^{i\theta_{\mu}} \text{ and } \forall_{\nu \in \{1, \dots, n\}} \omega_{\nu} = r k_{\nu} \sin \theta_{\nu} \right\}.$$

From **IC1**, we have  $0 = \sum_{\mu=1}^n \omega_{\mu} = \sum_{\mu=1}^n r k_{\mu} \sin \theta_{\mu} = r \sum_{\mu=1}^n k_{\mu} \sin \theta_{\mu}$ . Since  $r \neq 0$ , we know  $\sum_{\mu=1}^n k_{\mu} \sin \theta_{\mu} = 0$ . Thus,

$$\Theta_{\omega,k} = \left\{ \theta \in U : \exists_{r \in \mathbb{R}_{> 0}} r = \frac{1}{n} \sum_{\mu=1}^n k_{\mu} \cos \theta_{\mu} \text{ and } \forall_{\nu \in \{1, \dots, n\}} \omega_{\nu} = r k_{\nu} \sin \theta_{\nu} \right\}.$$

Since  $\cos \alpha = \pm \sqrt{1 - \sin^2 \alpha}$  and  $\sin \theta_{\mu} = \frac{\omega_{\mu}}{k_{\mu} r}$ , we have

$$\Theta_{\omega,k} = \bigcup_{\sigma \in \{-1, +1\}^n} \Theta_{\omega,k,\sigma} \quad \text{where}$$

$$\Theta_{\omega,k,\sigma} = \left\{ \theta \in U : \exists_{r \in \mathbb{R}_{> 0}} r = \frac{1}{n} \sum_{\mu=1}^n k_{\mu} \sigma_{\mu} \sqrt{1 - \left( \frac{\omega_{\mu}}{k_{\mu} r} \right)^2} \text{ and } \forall_{\nu \in \{1, \dots, n\}} \sin \theta_{\nu} = \frac{\omega_{\nu}}{k_{\nu} r} \text{ and } \operatorname{sign} \cos \theta_{\nu} = \sigma_{\nu} \right\}.$$

Since  $r, k_{\mu} > 0$ , we can simplify to

$$\Theta_{\omega,k,\sigma} = \left\{ \theta \in U : \exists_{r \in \mathbb{R}_{> 0}} r^2 = \frac{1}{n} \sum_{\mu=1}^n \sigma_{\mu} \sqrt{k_{\mu}^2 r^2 - \omega_{\mu}^2} \text{ and } \forall_{\nu \in \{1, \dots, n\}} \sin \theta_{\nu} = \frac{\omega_{\nu}}{k_{\nu} r} \text{ and } \operatorname{sign} \cos \theta_{\nu} = \sigma_{\nu} \right\}.$$

Since  $r > 0$ , for  $R = r^2 > 0$ , we have  $r = \sqrt{R}$  yielding the result.  $\square$

### 3 Locating the equilibria

Theorem 2.1 immediately yields an algorithm for locating all equilibria satisfying (3). After some improvements, we compare the resulting method with other approaches.

#### 3.1 Basic algorithm

For each  $\sigma \in \{-1, +1\}^n$ , the first step to utilize Theorem 2.1 for locating all equilibria is to find the positive roots of

$$f_{\sigma}(R) = -R + \frac{1}{n} \sum_{\mu=1}^n \sigma_{\mu} \sqrt{k_{\mu}^2 R - \omega_{\mu}^2}. \quad (6)$$

The following algorithm depends upon a root finding method that returns the set of all positive roots of  $f_\sigma$ , denoted  $\mathbf{Solve}(f_\sigma, +)$ . Our implementation uses an interval Newton method [16, Chap. 6]. For each positive root  $R$  of  $f_\sigma$ , the second step from Theorem 2.1 is to compute the equilibria via

$$\sin \theta_\nu = \frac{\omega_\nu}{k_\nu \sqrt{R}} \quad \text{and} \quad \text{sign} \cos \theta_\nu = \sigma_\nu \quad \text{for } \nu = 1, \dots, n.$$

This is summarized in the following algorithm.

**Algorithm 3.1 (Basic)**

**In:**  $\omega \in \mathbb{R}^n$  and  $k \in \mathbb{R}_{>0}^n$  satisfying **IC1**, **IC2**, and **IC3**.

**Out:**  $\Theta$ , the set of equilibria satisfying **OC1**.

1.  $\Theta \leftarrow \{\}$
2. For  $\sigma \in \{-1, +1\}^n$  do
  - (a)  $f_\sigma \leftarrow -R + \frac{1}{n} \sum_{\mu=1}^n \sigma_\mu \sqrt{k_\mu^2 R - \omega_\mu^2}$
  - (b)  $\mathcal{R} \leftarrow \mathbf{Solve}(f_\sigma, +)$
  - (c) For  $R \in \mathcal{R}$  do
    - i. Compute  $\theta \in (-\pi, \pi]^n$  such that  $\sin \theta_\nu = \frac{\omega_\nu}{k_\nu \sqrt{R}}$  and  $\text{sign} \cos \theta_\nu = \sigma_\nu$  for  $\nu = 1, \dots, n$ .
    - ii. Add  $\theta$  to  $\Theta$

**Example 3.2** To illustrate for  $n = 2$ , consider  $\omega = (4, -4)$  and  $k = (5, 2)$ . There are 4 sign patterns  $\sigma$  to consider:

- $\sigma = (-1, -1)$  :
  - $f_\sigma(R) = -R + \frac{1}{2} (-\sqrt{25R - 16} - \sqrt{4R - 16})$  has no positive roots.
- $\sigma = (-1, +1)$  :
  - $f_\sigma(R) = -R + \frac{1}{2} (-\sqrt{25R - 16} + \sqrt{4R - 16})$  has no positive roots.
- $\sigma = (+1, -1)$  :
  - $f_\sigma(R) = -R + \frac{1}{2} (\sqrt{25R - 16} - \sqrt{4R - 16})$  has one positive root, namely  $R = 4.25$ .
  - This yields the equilibrium  $\theta = (0.3985, -1.8158)$ .
- $\sigma = (+1, +1)$  :
  - $f_\sigma(R) = -R + \frac{1}{2} (\sqrt{25R - 16} + \sqrt{4R - 16})$  has one positive root, namely  $R = 10.25$ .
  - This yields the equilibrium  $\theta = (0.2526, -0.6747)$ .

In summary, there are two equilibria satisfying (3).

### 3.2 Optimizations

In Algorithm 3.1, **Solve**( $f_\sigma, +$ ), which computed all positive roots of  $f_\sigma$ , was called for all  $2^n$  sign patterns. This exponential scaling in the number of oscillators is not much better than the previous approaches discussed earlier. As such, the goal of this section is to prune out sign patterns  $\sigma$  for which  $f_\sigma$  as in (6) has no positive roots. This improvement gives the optimized algorithm essentially scaling on the number of equilibria, provided an extra condition is satisfied, yielding much shorter computation times.

To simplify, we will impose an additional input condition.

$$\mathbf{IC4}: \left(\frac{\omega_1}{k_1}\right)^2 \leq \left(\frac{\omega_2}{k_2}\right)^2 \leq \dots \leq \left(\frac{\omega_n}{k_n}\right)^2$$

There is no loss of generality since the indexing is arbitrary.

Throughout this section, we assume  $\omega \in \mathbb{R}^n$  and  $k \in \mathbb{R}_{>0}^n$  satisfy **IC1** – **IC4**,  $\sigma \in \{-1, +1\}^n$ , and  $f_\sigma$  as in (6). The following provides an interval containing all positive roots of  $f_\sigma$ .

**Proposition 3.3** *If  $\sigma_+ = \{\mu : \sigma_\mu = +1\}$ , then every positive root of  $f_\sigma$  is contained in the interval*

$$\left[ \left(\frac{\omega_n}{k_n}\right)^2, \left(\frac{1}{n} \sum_{\mu \in \sigma_+} k_\mu\right)^2 \right].$$

*Proof:* Suppose that  $R$  is a positive root of  $f_\sigma$ . Since each  $\frac{\omega_\nu^2}{k_\nu^2 R} = \sin^2 \theta_\nu \leq 1$  by Theorem 2.1,

$$R \geq \left(\frac{\omega_\nu}{k_\nu}\right)^2 \quad \text{for } \nu = 1, \dots, n.$$

By **IC4**, we have  $R \geq \left(\frac{\omega_n}{k_n}\right)^2$ .

Moreover,

$$0 \leq \sqrt{k_\mu^2 R - \omega_\mu^2} \leq k_\mu \sqrt{R}.$$

For  $\sigma_- = \{\mu : \sigma_\mu = -1\}$ , we have

$$\begin{aligned} R &= \frac{1}{n} \sum_{\mu=1}^n \sigma_\mu \sqrt{k_\mu^2 R - \omega_\mu^2} \\ &= \left(\frac{1}{n} \sum_{\mu \in \sigma_+} \sqrt{k_\mu^2 R - \omega_\mu^2}\right) - \left(\frac{1}{n} \sum_{\mu \in \sigma_-} \sqrt{k_\mu^2 R - \omega_\mu^2}\right) \\ &\leq \frac{1}{n} \sum_{\mu \in \sigma_+} k_\mu \sqrt{R}. \end{aligned}$$

This is equivalent to  $R \leq \left(\frac{1}{n} \sum_{\mu \in \sigma_+} k_\mu\right)^2$ .  $\square$

**Example 3.4** *With the setup from Ex. 3.2, we consider the four cases:*



- $\sigma = (-1, -1)$  :
  - no positive roots since Prop. 3.3 provides the “interval”  $[4, 0]$ .
- $\sigma = (-1, +1)$  :
  - no positive roots since Prop. 3.3 provides the “interval”  $[4, 1]$ .
- $\sigma = (+1, -1)$  :
  - Prop. 3.3 provides the interval  $[4, 6.25]$ , which contains the positive root  $R = 4.25$ .
- $\sigma = (+1, +1)$  :
  - Prop. 3.3 provides the interval  $[4, 12.25]$ , which contains the positive root  $R = 10.25$ .

As shown in Ex. 3.4, Prop. 3.3 can exclude sign patterns  $\sigma$  for which  $f_\sigma$  has no positive roots. The following provides another such test.

**Proposition 3.5** *If, for all  $\ell = 1, 2, \dots, n$ ,*

$$\sum_{\mu=1}^{\ell} \sigma_\mu k_\mu \leq 0, \tag{7}$$

*then  $f_\sigma$  has no positive roots.*

*Proof:* Suppose that  $R$  is a positive root of  $f_\sigma$ . Then,  $R \geq \left(\frac{\omega_n}{k_n}\right)^2$  by Prop. 3.3. From **IC4**,

$$\sqrt{R - \left(\frac{\omega_1}{k_1}\right)^2} \geq \dots \geq \sqrt{R - \left(\frac{\omega_n}{k_n}\right)^2} \geq 0.$$

Therefore, combining this with (7) and  $f_\sigma(R) = 0$ , we have

$$\begin{aligned} 0 &\geq \sqrt{R - \left(\frac{\omega_n}{k_n}\right)^2} \sum_{\nu=1}^n \sigma_\nu k_\nu \\ &= \sqrt{R - \left(\frac{\omega_n}{k_n}\right)^2} \sum_{\nu=1}^{n-1} \sigma_\nu k_\nu + \sigma_n k_n \sqrt{R - \left(\frac{\omega_n}{k_n}\right)^2} \\ &\geq \sqrt{R - \left(\frac{\omega_{n-1}}{k_{n-1}}\right)^2} \sum_{\nu=1}^{n-1} \sigma_\nu k_\nu + \sigma_n k_n \sqrt{R - \left(\frac{\omega_n}{k_n}\right)^2} \\ &= \sqrt{R - \left(\frac{\omega_{n-1}}{k_{n-1}}\right)^2} \sum_{\nu=1}^{n-2} \sigma_\nu k_\nu + \sum_{\mu=n-1}^n \sigma_\mu k_\mu \sqrt{R - \left(\frac{\omega_\mu}{k_\mu}\right)^2} \\ &\vdots \\ &\geq \sum_{\mu=1}^n \sigma_\mu k_\mu \sqrt{R - \left(\frac{\omega_\mu}{k_\mu}\right)^2} \\ &= nR. \end{aligned}$$

This is a contradiction since  $R > 0$ .  $\square$

**Example 3.6** *With the setup from Ex. 3.2, Prop. 3.5 shows that  $f_\sigma$  can have no positive roots for  $\sigma = (-1, -1)$  and  $\sigma = (-1, +1)$ .*

The following will be used to show additional conditions for which  $f_\sigma$  has no positive roots.

**Lemma 3.7**  *$f_\sigma$  has no positive roots if and only if  $f_\sigma < 0$  on  $\left[\left(\frac{\omega_n}{k_n}\right)^2, \infty\right)$ .*

*Proof:* Let  $I = \left[\left(\frac{\omega_n}{k_n}\right)^2, \infty\right)$ . If  $R \in I$ , then

$$\begin{aligned} f_\sigma(R) &= -R + \frac{1}{n} \sum_{\mu=1}^n \sigma_\mu \sqrt{k_\mu^2 R - \omega_\mu^2} \\ &\leq -R + \frac{1}{n} \sum_{\mu=1}^n \sqrt{k_\mu^2 R - \omega_\mu^2} \\ &\leq -R + \frac{1}{n} \sum_{\mu=1}^n k_\mu \sqrt{R} \end{aligned}$$

so that

$$\lim_{R \rightarrow \infty} f_\sigma(R) = -\infty.$$

Since  $f_\sigma$  is continuous on  $I$ , we must have  $f_\sigma < 0$  on  $I$  when  $f_\sigma$  has no positive roots. Furthermore, the interval  $\left[\left(\frac{\omega_n}{k_n}\right)^2, \left(\frac{1}{n} \sum_{\mu \in \sigma_+} k_\mu\right)^2\right]$  contains all the positive roots of  $f_\sigma$  by Prop. 3.3 and is contained in  $I$ . Hence, if  $f_\sigma < 0$  on  $I$ , then  $f_\sigma$  has no positive roots.  $\square$

If  $f_\sigma$  has no positive roots, the following yields additional cases which also have no positive roots.

**Lemma 3.8** *Let  $\mu$  be such that  $\sigma_\mu = +1$ . Let  $\sigma'$  such that  $\sigma'_\mu = -1$  and  $\sigma'_\nu = \sigma_\nu$  for  $\nu \neq \mu$ . If  $f_\sigma$  has no positive roots, then  $f_{\sigma'}$  also has no positive roots.*

*Proof:* Since  $f_\sigma$  has no positive roots, Lemma 3.7 shows that  $f_\sigma < 0$  on  $\left[\left(\frac{\omega_n}{k_n}\right)^2, \infty\right)$ . Since

$f_{\sigma'} \leq f_\sigma$  on  $\left[\left(\frac{\omega_n}{k_n}\right)^2, \infty\right)$ ,  $f_{\sigma'}$  also does not have any positive roots by Lemma 3.7.  $\square$

**Example 3.9** *With the setup from Ex. 3.2, since  $f_\sigma$  for  $\sigma = (-1, +1)$  has no positive roots,  $f_{\sigma'}$  also has no positive roots for  $\sigma' = (-1, -1)$ .*

The following excludes additional cases by swapping entries of  $\sigma$ .

**Lemma 3.10** *Suppose  $\mu$  and  $\nu$  are such that  $\sigma_\mu = +1$  and  $\sigma_\nu = -1$ . Let  $\sigma'$  be the same as  $\sigma$  except that  $\sigma'_\mu = \sigma_\nu = -1$  and  $\sigma'_\nu = \sigma_\mu = +1$ . If  $f_\sigma$  has no positive roots where*

$$(k_\mu^2 - k_\nu^2) \left(\frac{\omega_n}{k_n}\right)^2 \geq \omega_\mu^2 - \omega_\nu^2 \quad \text{and} \quad (k_\mu^2 - k_\nu^2) \left(\frac{1}{n} \sum_{\iota=1}^n k_\iota\right)^2 \geq \omega_\mu^2 - \omega_\nu^2, \quad (8)$$

*then  $f_{\sigma'}$  also has no positive roots.*

*Proof:* Given (8) and  $R \in \left[ \left( \frac{\omega_n}{k_n} \right)^2, \left( \frac{1}{n} \sum_{\mu=1}^n k_\mu \right)^2 \right]$ , we have

$$(k_\mu^2 - k_\nu^2) R \geq \omega_\mu^2 - \omega_\nu^2.$$

Rearranging gives

$$k_\mu^2 R - \omega_\mu^2 \geq k_\nu^2 R - \omega_\nu^2 \geq 0 \text{ so that } \sqrt{k_\mu^2 R - \omega_\mu^2} \geq \sqrt{k_\nu^2 R - \omega_\nu^2}.$$

Hence,  $f_{\sigma'}(R) \leq f_\sigma(R)$ . Therefore, the result follows from Lemma 3.7.  $\square$

A natural way to order the sign patterns  $\sigma$  is to present them using binary representations of the numbers in base 10 from 0 to  $2^n - 1$  where “0” in binary represents  $-1$  and “1” in binary represents  $+1$ . For example,  $\sigma = (+1, -1)$  corresponds to the binary number  $10_2$ , so we can say  $\sigma$  corresponds to the number 2 in base 10. We demonstrate this on a concrete application (power flow analysis) from electrical engineering [13] and apply all the previous results.

**Example 3.11 (Power flow model: 4-bus system)** *Figure 1 depicts a lossless four-bus power system with active power injections  $P_1, \dots, P_4$ , voltage magnitudes  $|V_1|, \dots, |V_4|$ , and line susceptances  $b_{12} = b_{13} = b_{14} = b_{23} = b_{24} = b_{34} = 1$ . The equilibria of the power flow equations correspond to the equilibria of the rank-one coupled Kuramoto model, namely the solutions of (3) where  $\omega = (P_1, \dots, P_4)$ ,  $k = (2|V_1|, 2|V_2|, 2|V_3|, 2|V_4|)$ , and  $\theta = (\theta_1, \theta_2, \theta_3, \theta_4)$  are the voltage angles.*

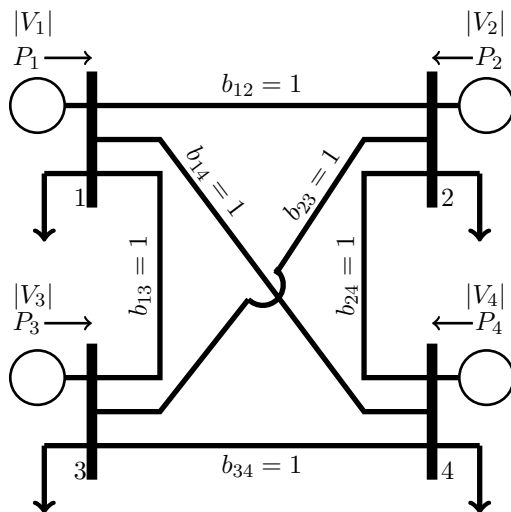


Figure 1: One-Line Diagram for a Four-Bus Electric Power System

Let us consider the case with  $P = (1.00, -1.25, 2.00, -1.75)$  and  $|V| = (1.10, 0.93, 1.05, 0.90)$ . That is, we aim to solve (3) where  $\omega = (1.00, -1.25, 2.00, -1.75)$  and  $k = (2.20, 1.86, 2.10, 1.80)$ . By taking the 16 possible sign patterns as the numbers

$$0 \equiv (-1, -1, -1, -1), \dots, 15 \equiv (+1, +1, +1, +1),$$

some possibilities can immediately be ruled out:

- 0, 1, 2, 4, 5, 8 by Prop. 3.3;

- 0, 1, 2, 3, 4, 5 by Prop. 3.5.

We now consider the remaining possibilities starting from the largest:

- One equilibria resulting from each of the following: 15, 14, 13, 12, 11, 10;
- No equilibria resulting from  $9 \equiv (+1, -1, -1, +1)$ ;
- Two equilibria resulting from  $7 \equiv (-1, +1, +1, +1)$ ;
- No equilibria resulting from  $6 \equiv (-1, +1, +1, -1)$ .

For example, since  $9 \equiv (+1, -1, -1, +1)$  yields no equilibria, Lemma 3.8 provides that 8, 1, and 0 yield no equilibria while Lemma 3.10 provides that 5 yields no equilibria. In summary, this particular case has a total of eight equilibria satisfying (3).

We can utilize a simpler approach when the following input condition holds.

**IC5:**  $k_1 \geq k_2 \geq \dots \geq k_n$

Unlike the previous input conditions **IC1** – **IC4**, **IC5** does impose restrictions on the input parameters. Hence, it will be explicitly stated when this condition is required.

The following is a simplification of Lemma 3.10 when **IC5** holds.

**Lemma 3.12** *Suppose that **IC5** is satisfied and  $\mu$  and  $\nu$  are such that  $\sigma_\mu = +1$  and  $\sigma_\nu = -1$ . Let  $\sigma'$  be the same as  $\sigma$  except that  $\sigma'_\mu = \sigma_\nu = -1$  and  $\sigma'_\nu = \sigma_\mu = +1$ . If  $\mu < \nu$  and  $f_\sigma$  has no positive roots, then  $f_{\sigma'}$  also has no positive roots.*

*Proof:* Given **IC4**, **IC5**, and  $\mu < \nu$ , we have

$$k_\mu \geq k_\nu \quad \text{and} \quad \left(\frac{\omega_\mu}{k_\mu}\right)^2 \leq \left(\frac{\omega_\nu}{k_\nu}\right)^2.$$

For  $R \geq \left(\frac{\omega_n}{k_n}\right)^2$ ,

$$k_\mu \sqrt{R - \left(\frac{\omega_\mu}{k_\mu}\right)^2} \geq k_\nu \sqrt{R - \left(\frac{\omega_\nu}{k_\nu}\right)^2} \quad \text{so that} \quad \sqrt{k_\mu^2 R - \omega_\mu^2} \geq \sqrt{k_\nu^2 R - \omega_\nu^2}.$$

Hence,  $f_{\sigma'}(R) \leq f_\sigma(R)$ . Therefore, the result follows from Lemma 3.7.  $\square$

Writing  $\sigma$  as a binary number, Lemma 3.8 allows changing a “1” to a “0.” With **IC5**, Lemma 3.12 allows swapping a “0” and a “1” provided the “0” is on the right of “1.” Thus with this understanding and ordering, we state the main optimization result.

**Theorem 3.13** *Assume that **IC5** is satisfied.*

1. *Suppose  $\sigma = (+1, \dots, +1)$  and  $f_\sigma$  has no positive roots. Then, for every  $\sigma' \in \{-1, +1\}^n$ ,  $f_{\sigma'}$  has no positive roots.*
2. *Suppose  $\sigma$  has exactly one entry which is  $-1$  and that  $f_\sigma$  has no positive roots. Then,  $f_{\sigma'}$  also has no positive roots for every  $\sigma' \in \{-1, +1\}^n$  which is smaller than  $\sigma$  using the aforementioned binary representation.*

3. Suppose that  $\sigma$  has at least two entries equal to  $-1$  and  $f_\sigma$  has no positive roots. Let  $\ell$  be the penultimate entry of a  $-1$  in  $\sigma$ . Let  $\sigma = (\rho_1, \rho_2)$  where  $\rho_1 = (\sigma_1, \dots, \sigma_{\ell-1}, -1)$  and  $\rho_2 = (\sigma_{\ell+1}, \dots, \sigma_n)$ . Then, for every  $\sigma' = (\rho_1, \rho_2') \in \{-1, +1\}^n$  such that  $\rho_2'$  is smaller than  $\rho_2$  using the aforementioned binary representation,  $f_{\sigma'}$  also has no positive roots.

*Proof:* We prove the three cases as follows.

1. This case follows immediately by repeated application of Lemma 3.8.
2. This case follows by alternately applying Case 1 to parts of  $\sigma$  and Lemma 3.12.
3. This case follows by applying Case 2 to  $\rho_2$ .

□

The main benefit of this result is that it allows the algorithm that follows to skip sequential sign cases all at once without having to consider each one individually.

**Example 3.14** *To illustrate, suppose the input parameters satisfy **IC5** and  $f_\sigma$  has no positive roots for  $\sigma = (+1, +1, -1, +1, -1, +1) \equiv 110101_2 = 53$ . Theorem 3.13 shows that  $f_{\sigma'}$  also has no positive roots for the following sequential sign patterns  $\sigma'$ :*

$$\begin{aligned} (+1, +1, -1, +1, -1, -1) &\equiv 110100_2 = 52 \\ (+1, +1, -1, -1, +1, +1) &\equiv 110011_2 = 51 \\ (+1, +1, -1, -1, +1, -1) &\equiv 110010_2 = 50 \\ (+1, +1, -1, -1, -1, +1) &\equiv 110001_2 = 49 \\ (+1, +1, -1, -1, -1, -1) &\equiv 110000_2 = 48. \end{aligned}$$

Furthermore, 48 can be immediately calculated from 53 by zeroing out everything from the next to last 0 onward, so that the five listed cases do not need to be considered at all.

The following utilizes these previous results assuming **IC5** to more efficiently compute the set of all equilibria to (3). This depends on two algorithms: a root finding method that returns the set of all roots of  $f_\sigma$  in an interval  $I$ , denoted **Solve**( $f_\sigma, I$ ), and a method that returns a sign pattern in  $\{-1, +1\}^n$  given a number  $0 \leq \iota \leq 2^n - 1$ , denoted **Convert**( $\iota$ ).

**Algorithm 3.15 (Optimized)**

**In:**  $\omega \in \mathbb{R}^n$  and  $k \in \mathbb{R}_{>0}^n$  satisfying **IC1** – **IC5**

**Out:**  $\Theta$ , the set of equilibria satisfying **OC1**

1.  $\Theta \leftarrow \{\}$
2.  $\iota \leftarrow 2^n - 1$
3. While  $\iota \geq 0$  do

(a)  $\sigma \leftarrow \mathbf{Convert}(\iota)$

(b)  $I \leftarrow \left[ \left( \frac{\omega_n}{k_n} \right)^2, \left( \frac{1}{n} \sum_{\mu \in \sigma_+} k_\mu \right)^2 \right]$

- (c) If  $I$  is empty, then
  - i. Decrement  $\iota$  according to Theorem 3.13
  - ii. Continue (go back to the start of Step 3)
- (d) If  $\sum_{\mu=1}^{\ell} \sigma_{\mu} k_{\mu} \leq 0$  for all  $\ell = 1, 2, \dots, n$ , then
  - i. Decrement  $\iota$  according to Theorem 3.13.
  - ii. Continue (go back to the start of Step 3)
- (e)  $f_{\sigma} \leftarrow -R + \frac{1}{n} \sum_{\mu=1}^n \sigma_{\mu} \sqrt{k_{\mu}^2 R - \omega_{\mu}^2}$
- (f)  $\mathcal{R} \leftarrow \text{Solve}(f_{\sigma}, I)$
- (g) If  $\mathcal{R} = \emptyset$ , then
  - i. Decrement  $\iota$  according to Theorem 3.13
  - ii. Continue (go back to the start of Step 3)
- (h) For  $R \in \mathcal{R}$  do
  - i. Compute  $\theta \in (-\pi, \pi]^n$  such that  $\sin \theta_{\nu} = \frac{\omega_{\nu}}{k_{\nu} \sqrt{R}}$  and  $\text{sign} \cos \theta_{\nu} = \sigma_{\nu}$  for  $\nu = 1, \dots, n$ .
  - ii. Add  $\theta$  to  $\Theta$
- (i)  $\iota \leftarrow \iota - 1$

**Remark 3.16** In Algorithm 3.15, Steps 3b and 3d follow from Prop. 3.3 and 3.5, respectively.

**Example 3.17** To illustrate, we apply Algorithm 3.15 to the setup from Ex. 3.2.

- $\iota = 3$  yielding  $\sigma = (+1, +1)$ :
  - $I = [4, 12.25]$
  - One positive root of  $f_{\sigma}(R) = -R + \frac{1}{2} (\sqrt{25R - 16} + \sqrt{4R - 16})$  on  $I$ , namely  $R = 10.25$ .
  - This yields the equilibrium  $\theta = (0.2526, -0.6747)$ .
- $\iota = 2$  yielding  $\sigma = (+1, -1)$ :
  - $I = [4, 6.25]$
  - One positive root of  $f_{\sigma}(R) = -R + \frac{1}{2} (\sqrt{25R - 16} - \sqrt{4R - 16})$  in  $I$ , namely  $R = 4.25$ .
  - This yields the equilibrium  $\theta = (0.3985, -1.8158)$ .
- $\iota = 1$  yielding  $\sigma = (-1, +1)$ :
  - $I = [4, 1]$  is empty
  - Theorem 3.13 removes the  $\iota = 0$  case.

In summary, there are two equilibria satisfying (3).

### 3.3 Performance

We implemented<sup>4</sup> both Algorithms 3.1 and 3.15 in C++ using the C-XSC library [18] with the univariate solver being an interval Newton method [16, Chap. 6]. In this section, we benchmark the performance of this with the following methods for computing all equilibria to (3):

- solve (4) using Gröbner basis techniques in `Macaulay2` [15];
- solve (4) using homotopy continuation in `Bertini` [4] as in [26];
- compute equilibria for (3) using elliptical continuation from [21].

We end with an example having  $n = 60$  that is easily solvable using Algorithm 3.15.

**Comparison with computational algebraic geometry:** We use the following setup from [26] to compare with solving (4) using `Macaulay2` and `Bertini` with serial computations. For each  $n = 3, \dots, 12$ , the natural frequencies are equidistant, namely  $\omega_\mu = -1 + (2\mu - 1)/n$  for  $\mu = 1, \dots, n$ , with uniform coupling  $k = (\sqrt{1.5}, \dots, \sqrt{1.5})$ . To simplify the algebraic geometry computations using `Macaulay2` and `Bertini`, we compute the equilibria as in [26] by setting  $\theta_n = 0$  ( $s_n = 0$  and  $c_n = 1$ ) with the results summarized in Table 1.

With `Macaulay2`, we simply computed the total number of complex solutions, i.e., the degree of the ideal generated by the polynomials in (4) when  $s_n = 0$  and  $c_n = 1$ . Thus, one would need to perform additional computations to compute the number of real solutions. The symbol ‡ means that the computation did not complete within 48 hours.

With `Bertini`, we performed two different computations. The first was to directly solve (4) using regeneration [17] and the second utilized a parameter homotopy [29]. Both of these computations provide all real and nonreal solutions to (4).

Although `Bertini` is parallelized and Algorithm 3.15 is parallelizable, we again note that the data in Table 1 is based on using serial processing. Nonetheless, this shows the advantage of using Algorithm 3.15 to compute all equilibria without needing to compute the nonreal solutions of (4).

$n$	3	4	5	6	7	8	9	10	11	12
# real	2	2	4	4	4	4	4	4	8	8
# complex	6	12	28	56	118	238	486	976	1972	3958
<code>Macaulay2</code> degree	< 0.1s	< 0.1s	0.1s	1.1s	7.0s	72.6s	716.5s	10783.7s	149578.0s	‡
<code>Bertini</code> regeneration	0.3s	1.2s	3.4s	13.4s	45.1s	116.6s	210.1s	486.2s	1493.1s	3443.5s
<code>Bertini</code> parameter	< 0.1s	< 0.1s	0.2s	0.4s	1.1s	2.2s	6.9s	15.0s	36.9s	116.8s
Algorithm 3.15	< 0.1s	< 0.1s	< 0.1s	< 0.1s	< 0.1s	< 0.1s	< 0.1s	< 0.1s	< 0.1s	< 0.1s

Table 1: Comparison of various solving methods

**Comparison with elliptical continuation:** We next compare Algorithm 3.15 with the elliptical continuation method proposed in [21]. While having the advantage of being applicable to a more general setting of power flow equations, the elliptical continuation method in [21] comes with both theoretical and computational drawbacks relative to Algorithm 3.15 when considered in the context of the Kuramoto model. In contrast to Algorithm 3.15, there currently is no theoretical guarantee that the elliptical continuation method in [21] will compute all equilibria. Moreover, the

<sup>4</sup>Available at <http://dx.doi.org/10.7274/R09W0CDP>.

computational speed of Algorithm 3.15 can be several orders of magnitude faster than the elliptical continuation method in [21]. Consider, for instance, a test case with  $n = 18$ ,  $k = (1, \dots, 1)$ , and

$$\omega = (0.1000, -0.1000, -0.1415, -0.1429, 0.1500, 0.2000, -0.4142, 0.7000, -0.8500, \\ 1.4142, 2.3000, 3.1415, -3.1904, -3.5000, 4.3333, -5.0000, -6.0000, 7.0000).$$

When interpreted as a power flow problem, this test case represents a power system composed of 18 buses with fixed, unity voltage magnitudes and specified active power injections given by  $\omega$  in normalized “per unit” values. The buses are completely connected by lines with unity reactance and zero resistance.<sup>5</sup> A serial implementation of the elliptical continuation method in [21] in MATLAB yielded 8538 equilibria satisfying (3) in  $1.935 \times 10^5$  seconds (53.77 hours). For a fair comparison, we used a serial implementation of Algorithm 3.15 in MATLAB which computed 8538 equilibria in 13.9 seconds. Hence, the implementation of Algorithm 3.15 in MATLAB is roughly four orders of magnitude faster than the MATLAB implementation of [21] for this example. We note that the C++ implementation of Algorithm 3.15 took 6.6 seconds.

**An example with  $n = 60$ :** We conclude with an example solved by Algorithm 3.15 for  $n = 60$  having  $k = (60, \dots, 60)$  and

$$\omega = \begin{pmatrix} 0, & 0, & 0, & 0, & 0, & 0, & 0, & 0, & 0, & 20, \\ -20, & 40, & -60, & 60, & 60, & 80, & -80, & -100, & -100, & 120, \\ -160, & -160, & -200, & 240, & -280, & -300, & 300, & -360, & 360, & -380, \\ 420, & 420, & -420, & -460, & 460, & 500, & 520, & 540, & -560, & -600, \\ -620, & 620, & -640, & 660, & 660, & 660, & 680, & -720, & 780, & -800, \\ 820, & -820, & -840, & -840, & -880, & 920, & -980, & -980, & -1080, & 3500. \end{pmatrix}$$

This example has 2 equilibria satisfying (3) with the total computation time using Algorithm 3.15 taking under a second. Generally, problems with  $\left(\frac{w_n}{k_n}\right)^2$  near  $\left(\frac{1}{n} \sum_{\mu=1}^n k_\mu\right)^2$  will be solved quickly by Algorithm 3.15 as a consequence of Prop. 3.3 and Theorem 3.13.

## 4 Counting equilibria

After reviewing known information, we compute the generic root count for (4) which bounds the number of equilibria to (3). By analyzing the number of equilibria in particular cases, we can asymptotically compare the maximum number of equilibria to the generic root count of (4).

### 4.1 Summary of known results

As mentioned in the Introduction, the arbitrary coupling case (5) has at most  $\binom{2n-2}{n-1}$  equilibria [2] and, for  $n \geq 4$ , it is currently unknown if this bound can be achieved. The minimum number of equilibria is easily observed to be 0.

There are results regarding the number of equilibria for the standard Kuramoto model that apply to the rank-one coupled Kuramoto model as well. When  $n = 2$ , it is easy to see that the maximum number of equilibria satisfying (3) is 2. By **IC1**, we have  $\omega_2 = -\omega_1 \neq 0$ , so, without loss of generality, we assume  $\omega_1 > 0$ . With  $k = (1, 1)$ , one can verify:

---

<sup>5</sup>While this is a very special example of a power system network, the corresponding test case enables comparison between Algorithm 3.15 and the elliptical continuation method in [21] in the context of the Kuramoto model.



- 2 equilibria if  $0 < \omega_1 < \frac{1}{2}$ ;
- 1 equilibria (of “multiplicity 2”) if  $\omega_1 = \frac{1}{2}$ ;
- 0 equilibria if  $\omega_1 > \frac{1}{2}$ .

For  $n = 3$ , the maximum number of equilibria is 6 [2, 37]. When  $k = (1, 1, 1)$ , Prop. 3.3 shows that equilibria can only occur if each  $|\omega_\nu| \leq 1$ . By taking  $\omega_3 = -\omega_1 - \omega_2$  due to **IC1**, Figure 2 plots the regions having 0, 2, 4, and 6 distinct equilibria for  $\omega_1, \omega_2 \in [-1, 1]$ .

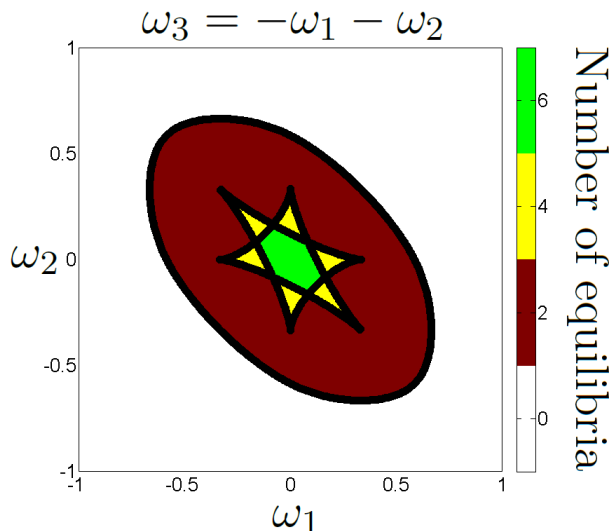


Figure 2: Regions based on the number of equilibria satisfying (3) when  $n = 3$  and  $k = (1, 1, 1)$

For  $n = 4$ , the maximum number of equilibria is 14 [2, 37] and it is an open problem to determine if this bound is sharp. A recent experiment [37] applied to the standard Kuramoto model computed all equilibria for selected values of  $\omega \in \mathbb{R}^4$  in a relevant compact parameter space based on a grid with stepsize  $1/2000$ . Since this experiment attained a maximum of 10 equilibria, they conjecture that the maximum number of equilibria satisfying (3) when  $n = 4$  and  $k = (\sqrt{K}, \sqrt{K}, \sqrt{K}, \sqrt{K})$  is 10, which is strictly smaller than the upper bound of 14. We revisit this case in Ex. 4.8 and 4.10.

## 4.2 Bounding the number of equilibria

As summarized in Section 4.1, the maximum number of equilibria to (3) is 2, 6, 14 for  $n = 2, 3, 4$ , respectively. Theorem 4.3 shows that  $2^n - 2$  bounds the number of equilibria with Corollary 4.4 showing that  $2^n - 2$  is actually the generic root count for the polynomial system (4) modulo shift.

Let  $\omega \in \mathbb{R}^n$  and  $k \in \mathbb{R}_{>0}^n$  satisfy **IC1**, **IC2**, and **IC3**. The following shows that the function

$$g(R) = \prod_{\sigma \in \{-1, +1\}^n} f_\sigma(R) = \prod_{\sigma \in \{-1, +1\}^n} \left( -R + \frac{1}{n} \sum_{\mu=1}^n \sigma_\mu \sqrt{k_\mu^2 R - \omega_\mu^2} \right), \quad (9)$$

is actually a polynomial.

**Proposition 4.1** *The univariate function  $g$  in (9) is a polynomial of degree  $2^n$ . Moreover, there exists a polynomial  $h(R)$  of degree  $2^n - 2$  with*

$$g(R) = R^2 \cdot h(R).$$

*Proof:* Since  $g$  is a product over all  $2^n$  conjugates, it immediately follows that  $g$  is a polynomial with leading term  $(-R)^{2^n}$ .

In order to show that  $R^2$  is a factor of  $g$ , we will show  $g(0) = g'(0) = 0$ . To that end, we have

$$\begin{aligned} g(0) &= \prod_{\sigma \in \{-1, +1\}^n} \left( \frac{1}{n} \sum_{\mu=1}^n \sigma_{\mu} \sqrt{-\omega_{\mu}^2} \right) \\ &= \frac{\sqrt{-1}}{n^{2^n}} \prod_{\sigma \in \{-1, +1\}^n} \left( \sum_{\mu=1}^n \sigma_{\mu} \omega_{\mu} \right). \end{aligned}$$

Two distinct terms in this product are  $\sum_{\mu=1}^n \omega_{\mu}$  and  $\sum_{\mu=1}^n -\omega_{\mu}$  which are both zero by **IC1**. Hence, it immediately follows that  $g(0) = g'(0) = 0$ .  $\square$

**Example 4.2** *For  $n = 2$ , we have*

$$g(R) = R^4 - \frac{1}{2} (k_1^2 + k_2^2) R^3 + \frac{1}{16} \left( (k_1^2 - k_2^2)^2 + 8(\omega_1^2 + \omega_2^2) \right) R^2 - \frac{1}{8} (k_1^2 - k_2^2) (\omega_1^2 - \omega_2^2) R + \frac{1}{16} (\omega_1^2 - \omega_2^2)^2$$

*which is indeed a polynomial of degree  $2^2 = 4$ . Moreover, **IC1** implies  $\omega_2 = -\omega_1$  so that*

$$g(R) = R^2 \left( R^2 - \frac{1}{2} (k_1^2 + k_2^2) R + \frac{1}{16} \left( (k_1^2 - k_2^2)^2 + 16\omega_1^2 \right) \right). \quad (10)$$

Proposition 4.1 immediately provides the following upper bound.

**Theorem 4.3** *If  $\omega \in \mathbb{R}^n$  and  $k \in \mathbb{R}_{>0}^n$  satisfy **IC1**, **IC2**, and **IC3**, then there are at most  $2^n - 2$  equilibria satisfying (3).*

*Proof:* This follows from Theorem 2.1 since  $g(R)$  in (9) has at most  $2^n - 2$  positive roots.  $\square$

**Corollary 4.4** *The generic root count modulo shift to (4) is  $2^n - 2$ .*

*Proof:* Reviewing the proof of Theorem 2.1 shows that  $2^n - 2$  also bounds the number of complex solutions to (4). For  $g(R)$  as in (9),  $g''(0) \neq 0$  for generic values of the parameters yielding that there are generically  $2^n - 2$  nonzero roots of  $g$ . Hence,  $2^n - 2$  is the generic root count of (4).  $\square$

**Example 4.5** *Table 1 shows that the polynomial system (4) for  $n = 4$ ,  $\omega = (-3/4, -1/4, 1/4, 3/4)$ , and  $k = (\sqrt{1.5}, \sqrt{1.5}, \sqrt{1.5}, \sqrt{1.5})$  has 12 complex roots modulo shift, which is less than the generic root count of  $2^4 - 2 = 14$ . In fact, as in the proof of Prop. 4.1, this is due to the following four being equal to zero:*

$$\sum_{i=1}^4 \omega_i, \quad \sum_{i=1}^4 -\omega_i, \quad \omega_1 - \omega_2 - \omega_3 + \omega_4, \quad -\omega_1 + \omega_2 + \omega_3 - \omega_4.$$

*Hence,  $g(R)$  in (9) has  $g(0) = g'(0) = g''(0) = g'''(0) = 0$ , namely*

$$g(R) = \frac{R^4}{1073741824} (64R^4 - 96R^3 + 20R^2 + 1)(64R^2 - 24R + 9)^2 (64R^2 - 24R + 1)^2.$$

Theorem 4.3 provides an upper bound of  $2^n - 2$  with a symmetric rank one coupling matrix while [2] provides an upper bound of  $\binom{2n-2}{n-1}$  in the general case. By Stirling's formula,

$$\binom{2n-2}{n-1} \approx 4^n \cdot \frac{1}{4\sqrt{\pi(n-1)}}$$

showing the bound in Theorem 4.3 for the rank one case is roughly the square root of the general purpose bound from [2]. Due to this difference, we computed the generic root counts for the corresponding polynomial system associated with (5) when the coupling matrix  $\kappa$  is a symmetric matrix of various ranks for  $n = 2, \dots, 10$  using Bertini [4]. The results are presented in Table 2. This data, for selected values of  $r$  and  $n$ , shows that the generic root counts for a symmetric coupling matrix of rank  $r$  and rank  $r+1$  are equal whenever  $n \leq 2r+1$  and differ when  $n \geq 2r+2$ . In fact, the difference between the generic root counts for rank  $r$  and rank  $r+1$  symmetric coupling matrices when  $n = 2r+2$  is equal to  $\binom{2r+2}{r+1} = \binom{n}{n/2}$ . We leave it as an open problem to fully understand the behavior for all choices of  $r$  and  $n$ .

$n$	rank 1	rank 2	rank 3	rank 4	rank 5
2	2	2	2	2	2
3	6	6	6	6	6
4	14	20	20	20	20
5	30	70	70	70	70
6	62	232	252	252	252
7	126	714	924	924	924
8	254	2056	3362	3432	3432
9	510	5646	11,860	12,870	12,870
10	1022	14,864	40,136	48,368	48,620

Table 2: Generic root counts for symmetric coupling matrices of various ranks

### 4.3 Counting equilibria for particular cases

Motivated by [37], we use Theorem 2.1 to analyze the number of equilibria satisfying (3) for particular cases when  $n$  is even (Theorem 4.6 and Corollary 4.9) and when  $n$  is odd (Theorem 4.12).

**Theorem 4.6** *Suppose that  $n \geq 2$  is even and  $q > 0$ . For  $\omega = (nq, \dots, nq, -nq, \dots, -nq)$  and  $k = (n, \dots, n)$ , there are exactly*

$$2^n - \sum_{-q < \ell < q} \binom{n}{n/2 + \ell}$$

*equilibria satisfying (3) counting multiplicity. Hence, the number of equilibria changes precisely at the integers  $q = 1, 2, \dots, n/2$ .*

*Proof:* Since  $k_\mu^2 = n^2$  and  $\omega_\mu^2 = n^2 q^2$ , Theorem 2.1 shows that we need to compute all  $R > 0$  where

$$R = \frac{1}{n} \sum_{\mu=1}^n \sigma_\mu \sqrt{n^2 R - n^2 q^2} = \sum_{\mu=1}^n \sigma_\mu \sqrt{R - q^2} = S \sqrt{R - q^2} \quad (11)$$

with  $S = \sum_{\mu=1}^n \sigma_\mu$  and  $\sigma \in \{-1, +1\}^n$ .

If  $S \leq 0$ , then (11) has no positive solutions. Since  $n$  is even, the remaining cases have  $S \geq 2$ . Thus, the positive solutions of (11) must satisfy

$$R = \frac{S}{2} \left( S \pm \sqrt{S^2 - 4q^2} \right) > 0.$$

This yields three cases:

1.  $2 \leq S < 2q$ : (11) has no positive solutions;
2.  $S = 2q \geq 2$ : (11) has one positive solution of multiplicity 2, namely  $R = S^2/2$ ;
3.  $S > 2q$  with  $S \geq 2$ : (11) has two distinct positive solutions.

Suppose that  $q$  is not an integer. Since  $S$  is even, we have  $S \neq 2q$ . Hence, the number of equilibria is exactly

$$2 \cdot \#\{\sigma \in \{+1, -1\}^n : S > 2q\} = 2 \cdot \#\{\sigma \in \{+1, -1\}^n : S \geq 2\lceil q \rceil\} = 2 \cdot \sum_{\ell=\lceil q \rceil}^{n/2} \binom{n}{n/2 + \ell}.$$

Since  $\binom{n}{n/2+\ell} = \binom{n}{n/2-\ell}$  and  $2^n = \sum_{\ell=0}^n \binom{n}{\ell}$ , the number of equilibria when  $q$  is not an integer is

$$2 \cdot \sum_{\ell=\lceil q \rceil}^{n/2} \binom{n}{n/2 + \ell} = \sum_{\ell=-\lceil q \rceil}^{-\lceil q \rceil} \binom{n}{n/2 + \ell} + \sum_{\ell=\lceil q \rceil}^{n/2} \binom{n}{n/2 + \ell} = 2^n - \sum_{-q < \ell < q} \binom{n}{n/2 + \ell}.$$

When  $q$  is an integer, we need to add in the case when  $S = 2q$  yielding

$$2 \cdot \#\{\sigma \in \{+1, -1\}^n : S \geq 2q\} = 2 \cdot \sum_{\ell=q}^{n/2} \binom{n}{n/2 + \ell} = 2^n - \sum_{-q < \ell < q} \binom{n}{n/2 + \ell}.$$

□

**Example 4.7** For  $n = 2$  and  $q > 0$ , the case of  $\omega = (2q, -2q)$  and  $k = (2, 2)$  corresponds with  $\omega = (q/2, -q/2)$  and  $k = (1, 1)$  as considered in Section 4.1. Hence, counting multiplicity, there are two equilibria for  $q \leq 1$  and no equilibria for  $q > 1$  in agreement with Theorem 4.6.

**Example 4.8** For  $n = 4$  and  $q > 0$ , the case of  $\omega = (4q, 4q, -4q, -4q)$  and  $k = (4, 4, 4, 4)$  corresponds with  $\omega = (q/4, q/4, -q/4, -q/4)$  and  $k = (1, 1, 1, 1)$  as considered in Section 4.1. Figure 3(a) plots the regions based on the number of equilibria when  $k = (1, 1, 1, 1)$  such that  $\omega_3 = \omega_4 = -(\omega_1 + \omega_2)/2$ . With this setup,  $\omega_1 = \omega_2 = q/4$  implies  $\omega_3 = \omega_4 = -q/4$ . Since the sign is arbitrary, the plot in Figure 3(b) incorporates the line  $\omega_1 = \omega_2 = q/4$ . By Theorem 4.6, there are 10 equilibria for  $0 < |q| < 1$ , 2 equilibria for  $1 < |q| < 2$ , and no equilibria for  $|q| > 2$ .

Theorem 4.6 immediately yields the following.

**Corollary 4.9** Suppose that  $n \geq 2$  is even and  $q > 0$ . The maximum number of distinct equilibria satisfying (3) when  $\omega = (nq, \dots, nq, -nq, \dots, -nq)$  and  $k = (n, \dots, n)$  is

$$2^n - \binom{n}{n/2}, \tag{12}$$

which occurs for all  $0 < q < 1$ .

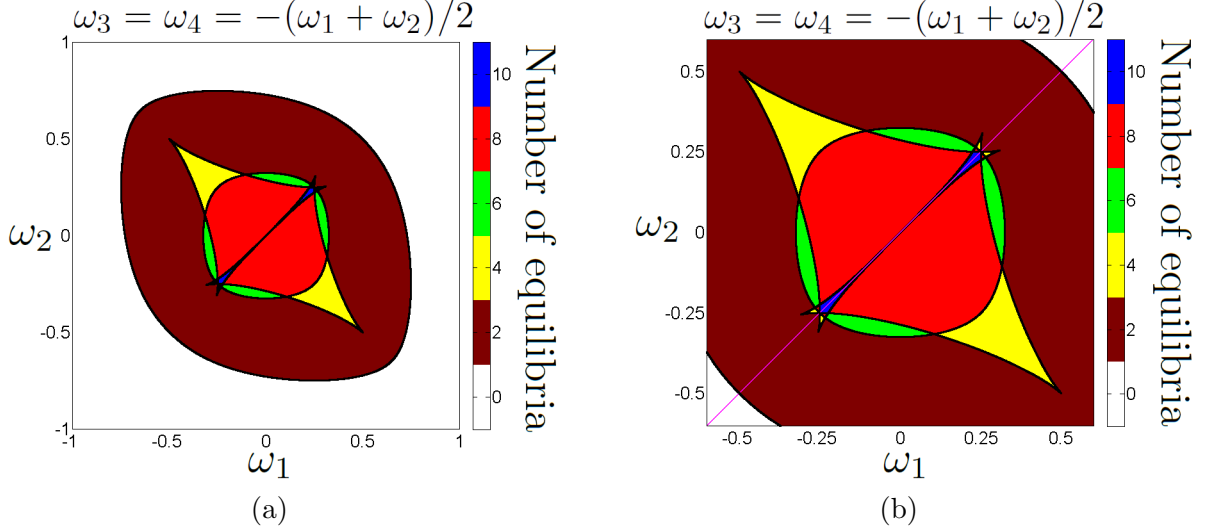


Figure 3: Regions based on the number of equilibria satisfying (3) for  $n = 4$  with a restricted set of  $\omega$  and  $k = (1, 1, 1, 1)$ . The diagonal line in (b) corresponds with results from Theorem 4.6.

**Example 4.10** For  $n = 4$ , Corollary 4.9 provides a maximum of  $2^4 - \binom{4}{2} = 10$  distinct equilibria which matches the computational results in [37] as discussed in Section 4.1.

Before considering the odd case, we first define the constants

$$q_o = \frac{\sqrt{414 - 66\sqrt{33}}}{16} \approx 0.3690 \quad \text{and} \quad R_o = \frac{21 - 3\sqrt{33}}{8} \approx 0.4708, \quad (13)$$

and prove an inequality regarding them.

**Lemma 4.11** For  $0 < q < q_o$ ,  $R_o + \sqrt{R_o} - 2\sqrt{R_o - q^2} < 0$  where  $q_o$  and  $R_o$  as defined in (13).

*Proof:* Since  $q < q_o$  and  $R_o - q^2 > R_o - q_o^2 > 0$ , we have

$$R_o + \sqrt{R_o} - 2\sqrt{R_o - q^2} < R_o + \sqrt{R_o} - 2\sqrt{R_o - q_o^2} = 0.$$

□

With Lemma 4.11, we now consider the case when  $n$  is odd.

**Theorem 4.12** Suppose that  $n \geq 3$  is odd and let  $0 < q < q_o$  where  $q_o$  is defined by (13). For  $\omega = (nq, \dots, nq, -nq, \dots, -nq, 0)$  and  $k = (n, \dots, n)$ , the number of equilibria satisfying (3) is

$$2^n - \binom{n-1}{(n-1)/2}. \quad (14)$$

*Proof:* Since  $k_\mu^2 = n^2$  for  $\mu = 1, \dots, n$ ,  $\omega_\nu^2 = n^2 q^2$  for  $\nu = 1, \dots, n-1$ , and  $\omega_n = 0$ , Theorem 2.1 shows that we need to compute all  $R > 0$  with

$$R = \frac{1}{n} \sum_{\mu=1}^{n-1} \sigma_\mu \sqrt{n^2 R - n^2 q^2} + \frac{1}{n} \sigma_n \sqrt{n^2 R} = \sum_{\mu=1}^{n-1} \sigma_\mu \sqrt{R - q^2} + \sigma_n \sqrt{R} = S \sqrt{R - q^2} + \sigma_n \sqrt{R} \quad (15)$$

where  $S = \sum_{\mu=1}^{n-1} \sigma_\mu$  and  $\sigma \in \{-1, +1\}^n$ . Define  $p_\sigma(R) = R - \sigma_n \sqrt{R} - S \sqrt{R - q^2}$ .

Since  $n-1$  is even, we know that  $S$  is also even. This yields three cases to consider.

$S < 0$ : Rewriting (15) as

$$R - \sigma_n \sqrt{R} = S \sqrt{R - q^2}$$

shows that the right-hand side is nonpositive. Hence, to have a solution, we need  $\sigma_n = +1$  and  $R \in (q^2, 1)$ . Since  $p_\sigma(q^2) = q^2 - q < 0$  and  $p_\sigma(1) = -S\sqrt{1 - q^2} > 0$ , we know that there is at least one root in  $(q^2, 1)$ . In fact, since  $S \leq -2$ , it is easy to see that  $p_\sigma$  is a strictly increasing function on  $(q^2, 1)$  since

$$p'_\sigma(R) = 1 - \frac{1}{2\sqrt{R}} + \frac{-S}{2\sqrt{R - q^2}} \geq 1 - \frac{1}{2\sqrt{R}} + \frac{1}{\sqrt{R - q^2}} \geq 1 + \frac{1}{2\sqrt{R}} > 0$$

for all  $R \in (q^2, 1)$ . Thus, this case yields one equilibrium for each  $\sigma \in \{-1, +1\}^n$  such that  $\sigma_n = +1$  and  $S < 0$  for a total of

$$\frac{1}{2} \left( 2^{n-1} - \binom{n-1}{(n-1)/2} \right).$$

$S = 0$ : Since (15) becomes  $R = \sigma_n \sqrt{R}$ , this case requires  $\sigma_n = +1$  and  $R = 1$ . The total number of equilibria for this case is thus

$$\binom{n-1}{(n-1)/2}.$$

$S > 0$ : We split this into two cases based on the value of  $\sigma_n$ .

$\sigma_n = +1$ : Rewriting (15) as

$$R - \sqrt{R} = S \sqrt{R - q^2}$$

shows that the right-hand side is nonnegative. Hence, to have a solution, we need  $R > 1$ . Since  $p_\sigma(1) = -S\sqrt{1 - q^2} < 0$  and  $\lim_{R \rightarrow \infty} p_\sigma(R) = \infty$ , we know that there is at least one root in  $(1, \infty)$ . In fact, the root is unique since the graph of  $p_\sigma$  is concave up due to

$$p''_\sigma(R) = \frac{1}{4R^{3/2}} + \frac{S}{4(R - q^2)^{3/2}} > 0$$

for  $R > 1$ . Hence, the total number of equilibria for this case is

$$\frac{1}{2} \left( 2^{n-1} - \binom{n-1}{(n-1)/2} \right).$$

$\sigma_n = -1$ : We need to compute the number of roots of  $p_\sigma$  for  $R > q^2$ . Since  $S \geq 2$  and  $R^{3/2} > (R - q^2)^{3/2}$  for all  $R > q^2$ , it follows that

$$p''_\sigma(R) = -\frac{1}{4R^{3/2}} + \frac{S}{4(R - q^2)^{3/2}} > 0$$

when  $R > q^2$ . Hence,  $p_\sigma$  is concave up on  $R > q^2$  with  $p_\sigma(q^2) = q^2 + q > 0$  and  $\lim_{R \rightarrow \infty} p_\sigma(R) = \infty$ . Thus, the number of roots depends on the sign of the minimum value of  $p_\sigma$  on  $R > q^2$ . Since increasing  $S$  makes  $p_\sigma$  more negative and Lemma 4.11 shows that  $p_\sigma(R_o) < 0$  when  $S = 2$ , there are always two roots with  $R > q^2$ . Hence, the total number of equilibria for this case is

$$2^{n-1} - \binom{n-1}{(n-1)/2}.$$

The result is obtained by simply summing the number of equilibria from all of these cases.  $\square$

**Example 4.13** For  $n = 3$ , Theorem 4.12 shows that the number of equilibria for  $\omega = (3q, -3q, 0)$  and  $k = (3, 3, 3)$  is  $2^3 - \binom{2}{1} = 6$  whenever  $0 < q < q_o$  with  $q_o$  defined in (13). This is equivalent to the case when  $\omega = (q/3, -q/3, 0)$  and  $k = (1, 1, 1)$  for  $0 < q < q_o$ . Since the ordering of the elements in  $\omega$  is arbitrary, Figure 4 is an enhanced version of Figure 2 that plots the corresponding three segments in red which lie within the region having 6 equilibria.

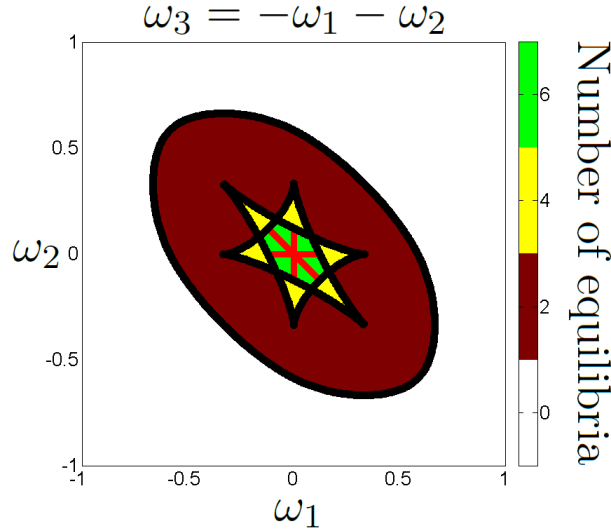


Figure 4: Enhanced version of Figure 2 with the three segments from Ex. 4.13 plotted in red

The following suggests an upper bound on the maximum number of equilibria.

**Conjecture 4.14** For  $n \geq 2$ , the maximum number of equilibria satisfying (3) with  $n$  oscillators is

$$\begin{cases} 2^n - \binom{n}{n/2} & \text{if } n \text{ is even,} \\ 2^n - \binom{n-1}{(n-1)/2} & \text{if } n \text{ is odd,} \end{cases}$$

which are achieved in Corollary 4.9 and Theorem 4.12, respectively.

As summarized in Section 4.1, this conjecture matches the known cases of  $n = 2$  and  $n = 3$ , and agrees with the conjecture for  $n = 4$  provided in [37] for the standard Kuramoto model.

#### 4.4 Asymptotic behavior

Even though we can only conjecture an upper bound on the number of equilibria, the results from Corollary 4.9 and Theorem 4.12 provide the following result: there can asymptotically be as many equilibria satisfying (3) as the number of complex solutions to (4) modulo shift.

**Theorem 4.15** As  $n \rightarrow \infty$ , the ratio of the maximum number of equilibria satisfying (3) and the generic root count to (4) limits to 1.

*Proof:* For each  $n \geq 2$ , let  $\Omega(n)$  denote this ratio. Theorems 4.3 and 4.12 together with Corollaries 4.4 and 4.9 show that, for every  $\ell \geq 1$ ,

$$\frac{2^{2\ell} - \binom{2\ell}{\ell}}{2^{2\ell} - 2} \leq \Omega(2\ell) \leq 1 \quad \text{and} \quad \frac{2^{2\ell+1} - \binom{2\ell}{\ell}}{2^{2\ell+1} - 2} \leq \Omega(2\ell + 1) \leq 1.$$

Stirling's formula yields

$$\lim_{\ell \rightarrow \infty} \frac{\binom{2\ell}{\ell}}{2^{2\ell} - 2} = \lim_{\ell \rightarrow \infty} \frac{\frac{2^{2\ell}}{\sqrt{\pi\ell}}}{2^{2\ell} - 2} = 0$$

so that

$$1 \geq \lim_{\ell \rightarrow \infty} \Omega(2\ell) \geq \lim_{\ell \rightarrow \infty} \frac{2^{2\ell} - \binom{2\ell}{\ell}}{2^{2\ell} - 2} = \lim_{\ell \rightarrow \infty} \frac{2^{2\ell}}{2^{2\ell} - 2} - \lim_{\ell \rightarrow \infty} \frac{\binom{2\ell}{\ell}}{2^{2\ell} - 2} = 1 - 0 = 1.$$

Similarly, Stirling's formula yields

$$\lim_{\ell \rightarrow \infty} \frac{\binom{2\ell}{\ell}}{2^{2\ell+1} - 2} = \lim_{\ell \rightarrow \infty} \frac{\frac{2^{2\ell}}{\sqrt{\pi\ell}}}{2^{2\ell+1} - 2} = 0$$

so that

$$1 \geq \lim_{\ell \rightarrow \infty} \Omega(2\ell + 1) \geq \lim_{\ell \rightarrow \infty} \frac{2^{2\ell+1} - \binom{2\ell}{\ell}}{2^{2\ell+1} - 2} = \lim_{\ell \rightarrow \infty} \frac{2^{2\ell+1}}{2^{2\ell+1} - 2} - \lim_{\ell \rightarrow \infty} \frac{\binom{2\ell}{\ell}}{2^{2\ell+1} - 2} = 1 - 0 = 1.$$

Therefore,  $\Omega(n) \rightarrow 1$  as  $n \rightarrow \infty$ .  $\square$

## 5 Conclusion

The Kuramoto model is a standard model used to describe the behavior of coupled oscillators which has proven to be useful in many applications, e.g., electrical engineering [36, 13], biology [33], and chemistry [30, 20, 3]. When the coupling matrix is a symmetric matrix of rank one, which is a slight generalization of the standard Kuramoto model (1), the reformulation (Theorem 2.1) permits all equilibria to be computed efficiently and effectively (Section 3.3) without the need to compute all complex solutions to a corresponding polynomial system. Moreover, this reformulation is also useful for computing an upper bound on the number of equilibria (Theorem 4.3), computing the exact number of equilibria for particular cases (Theorem 4.6 and Theorem 4.12), and understanding the asymptotic behavior of the maximum number of equilibria (Theorem 4.15).

Even with the broad use of the Kuramoto model and the new results presented in this paper regarding the equilibria, many questions still remain. One prominent question is how to compute the maximum number of equilibria when the coupling matrix has rank one, which we have conjectured (Conjecture 4.14) is strictly smaller than the upper bound of  $2^n - 2$  for all  $n \geq 4$ , an extension of the computational results for the standard Kuramoto when  $n = 4$  from [37]. Another question regards the relationship between the rank of the coupling matrix, the number of oscillators, and the number of equilibria (Table 2), which may yield new approaches for computing all equilibria when the coupling matrix has rank  $r > 1$ .

## Acknowledgment

We would like to thank Dhagash Mehta for helpful discussions regarding the Kuramoto model, and Bernard Lesieutre and Dan Wu for sharing a MATLAB implementation of their elliptical continuation method proposed in [21].



## References

- [1] J.A. Acebrón, L.L. Bonilla, C.J. Pérez Vicente, F. Ritort, and R. Spigler. The Kuramoto model: A simple paradigm for synchronization phenomena. *Rev. Mod. Phys.*, 77:137–185, 2005.
- [2] J. Baillieul and C. Byrnes. Geometric critical point analysis of lossless power system models. *IEEE Trans. Circu. Syst.*, 29(11):724–737, 1982.
- [3] K. Bar-Eli. On the stability of coupled chemical oscillators. *Physica D Nonlinear Phenomena*, 14:242–252, 1985.
- [4] D.J. Bates, J.D. Hauenstein, A.J. Sommese, and C.W. Wampler. Bertini: Software for numerical algebraic geometry. Available at [www.nd.edu/~sommese/bertini](http://www.nd.edu/~sommese/bertini).
- [5] B. Buchberger. Ein Algorithmus zum Auffinden der Basiselemente des Restklassenringes nach einem nulldimensionalen Polynomideal [An Algorithm for Finding the Basis Elements in the Residue Class Ring Modulo a Zero Dimensional Polynomial Ideal]. (Trans. in *Journal of Symbolic Comp., Special Issue on Logic, Math., and Comp. Science: Interactions*, 41(3-4):475–511, 2006.) Mathematical Institute, University of Innsbruck, Austria, 1965.
- [6] J. Canny and I. Emiris. An Efficient Algorithm for the Sparse Mixed Resultant. In *Proc. 10th Intern. Symp. on Applied Algebra, Algebraic Algorithms, and Error-Correcting Codes, Lect. Notes in Comp. Science 263*:89–104, 1993.
- [7] H. Chen. Cascaded stalling of induction motors in fault-induced delayed voltage recovery (FIDVR). *MS Thesis, Univ. Wisconsin–Madison, ECE Depart.*, 2011.
- [8] T. Chen and D. Mehta. On the network topology dependent solution count of the algebraic load flow equations. *arXiv:1512.04987*, 2015.
- [9] T. Chen, D. Mehta, and M. Niemerg. A network topology dependent upper bound on the number of equilibria of the Kuramoto model. *arXiv:1603.05905*, 2016.
- [10] D. Cox, J. Little, and D. O’Shea. *Using Algebraic Geometry*. Springer-Verlag, New York, 2005.
- [11] D. Cox, J. Little, and D. O’Shea. *Ideals, Varieties, and Algorithms*. Springer International Publishing, 2015.
- [12] F. Dörfler and F. Bullo. Synchronization and transient stability in power networks and nonuniform kuramoto oscillators. *SIAM Journal on Control and Optimization*, 50(3):1616–1642, 2012.
- [13] F. Dörfler, M. Chertkov, and F. Bullo. Synchronization in complex oscillator networks and smart grids. *Proceedings of the National Academy of Sciences*, 110(6):2005–2010, 2013.
- [14] I. Emiris and B. Mourrain. Matrices in elimination theory. *Journal of Symbolic Comp.*, 28(1–2):3–43, 1999.
- [15] D.R. Grayson, and M.E. Stillman. Macaulay2, a software system for research in algebraic geometry. Available at <http://www.math.uiuc.edu/Macaulay2/>.
- [16] R. Hammer, M. Hocks, U. Kulisch and D. Ratz. *C++ Toolbox for Verified Computing I: Basic Numerical Problems Theory, Algorithms, and Programs*, Springer-Verlag, Berlin, 1995.
- [17] J.D. Hauenstein, A.J. Sommese, and C.W. Wampler. Regeneration homotopies for solving systems of polynomials. *Mathematics of Computation*, 80:345–377, 2011.
- [18] W. Krämer. C-XSC: A powerful environment for reliable computations in the natural and engineering sciences. 2011 4th International Conference on Biomedical Engineering and Informatics (BMEI), Shanghai, 2011, pp. 2130–2134. Software available at <http://www2.math.uni-wuppertal.de/~xsc/xsc/cxsc.html>.
- [19] Y. Kuramoto. *Self-entrainment of a population of coupled non-linear oscillators*, In *International Symposium on Mathematical Problems in Theoretical Physics: January 23–29, 1975, Kyoto University, Kyoto/Japan*, Springer, Berlin, 1975, pp. 420–422.

- [20] Y. Kuramoto. *Chemical Oscillations, Waves, and Turbulence*. Springer, Berlin, 1984.
- [21] B.C. Lesieutre and D. Wu. An efficient method to locate all the load flow solutions – revisited. In *53rd Annu. Allerton Conf. Commun., Control, Comput.*, Sept. 29 - Oct. 2, 2015.
- [22] W. Ma and S. Thorp. An efficient algorithm to locate all the load flow solutions. *IEEE Trans. Power Syst.*, 8(3):1077, 1993.
- [23] F. Macaulay. Some Formulae in elimination *Proc. London. Math. Soc.*, 33(1):3–27, 1902.
- [24] D. Mehta, J.D. Hauenstein, D.K. Molzahn, and M. Niemerg. Investigating the maximum number of real solutions to the power flow equations: analysis of lossless four-bus systems. *arXiv:1603.05908*, 2016.
- [25] D. Mehta, D.K. Molzahn, and K. Turitsyn. Recent advances in computational methods for the power flow equations. In *American Control Conf. (ACC)*, 2016, pp. 1753–1765.
- [26] D. Mehta, N.S. Daleo, F. Dörfler, and J.D. Hauenstein. Algebraic geometrization of the Kuramoto model: equilibria and stability analysis. *Chaos*, 25(5):053103, 2015.
- [27] D.K. Molzahn, B.C. Lesieutre, and H. Chen. Counterexample to a continuation-based algorithm for finding all power flow solutions. *IEEE Trans. Power Syst.*, 28(1):564–565, 2013.
- [28] D.K. Molzahn, D. Mehta, and M. Niemerg. Toward topologically based upper bounds on the number of power flow solutions. In *American Control Conf. (ACC)*, 2016, pp. 5927–5932.
- [29] A.P. Morgan and A.J. Sommese. Coefficient-parameter polynomial continuation. *Appl. Math. Comput.*, 29(2):123–160, 1989.
- [30] J.C. Neu. The method of near-identity transformations and its applications. *SIAM Journal on Applied Mathematics*, 38(2):189–208, 1980.
- [31] F.M.A. Salam, L. Ni, S. Guo, and X. Sun. Parallel processing for the load flow of power systems: the approach and applications. In *IEEE 28th Ann. Conf. Decis. Control (CDC)*, 1989, pp. 2173–2178.
- [32] A.J. Sommese and C.W. Wampler. *The Numerical Solution of Systems of Polynomials Arising in Engineering and Science*. World Scientific Publishing Company, 2005.
- [33] H Sompolinsky, D Golomb, and D Kleinfeld. Global processing of visual stimuli in a neural network of coupled oscillators. *Proceedings of the National Academy of Sciences*, 87(18):7200–7204, 1990.
- [34] S.H. Strogatz. From Kuramoto to Crawford: exploring the onset of synchronization in populations of coupled oscillators. *Physica D: Nonlinear Phenomena*, 143(1–4):1–20, 2000.
- [35] B. Sturmfels. Sparse elimination theory. *Proc. Comput. Algebr. Geom. Commut. Algebra*, D. Eisenbud, L. Robbiano, (Eds.), 1991.
- [36] K. Wiesenfeld, P. Colet, and S.H. Strogatz. Frequency locking in Josephson arrays: connection with the Kuramoto model. *Phys. Rev. E*, 57(2):1563, 1998.
- [37] X. Xin, T. Kikkawa, and Y. Liu. Analytical solutions of equilibrium points of the standard Kuramoto model: 3 and 4 oscillators. In *American Control Conf. (ACC)*, 2016, pp. 2447–2452.